

SYS/BIOS Inter-Processor Communication (IPC) and I/O User's Guide

Literature Number: SPRUG06D
September 2011



IMPORTANT NOTICE

Texas Instruments Incorporated and its subsidiaries (TI) reserve the right to make corrections, modifications, enhancements, improvements, and other changes to its products and services at any time and to discontinue any product or service without notice. Customers should obtain the latest relevant information before placing orders and should verify that such information is current and complete. All products are sold subject to TI's terms and conditions of sale supplied at the time of order acknowledgment.

TI warrants performance of its hardware products to the specifications applicable at the time of sale in accordance with TI's standard warranty. Testing and other quality control techniques are used to the extent TI deems necessary to support this warranty. Except where mandated by government requirements, testing of all parameters of each product is not necessarily performed.

TI assumes no liability for applications assistance or customer product design. Customers are responsible for their products and applications using TI components. To minimize the risks associated with customer products and applications, customers should provide adequate design and operating safeguards.

TI does not warrant or represent that any license, either express or implied, is granted under any TI patent right, copyright, mask work right, or other TI intellectual property right relating to any combination, machine, or process in which TI products or services are used. Information published by TI regarding third-party products or services does not constitute a license from TI to use such products or services or a warranty or endorsement thereof. Use of such information may require a license from a third party under the patents or other intellectual property of the third party, or a license from TI under the patents or other intellectual property of TI.

Reproduction of TI information in TI data books or data sheets is permissible only if reproduction is without alteration and is accompanied by all associated warranties, conditions, limitations, and notices. Reproduction of this information with alteration is an unfair and deceptive business practice. TI is not responsible or liable for such altered documentation. Information of third parties may be subject to additional restrictions.

Resale of TI products or services with statements different from or beyond the parameters stated by TI for that product or service voids all express and any implied warranties for the associated TI product or service and is an unfair and deceptive business practice. TI is not responsible or liable for any such statements.

TI products are not authorized for use in safety-critical applications (such as life support) where a failure of the TI product would reasonably be expected to cause severe personal injury or death, unless officers of the parties have executed an agreement specifically governing such use. Buyers represent that they have all necessary expertise in the safety and regulatory ramifications of their applications, and acknowledge and agree that they are solely responsible for all legal, regulatory and safety-related requirements concerning their products and any use of TI products in such safety-critical applications, notwithstanding any applications-related information or support that may be provided by TI. Further, Buyers must fully indemnify TI and its representatives against any damages arising out of the use of TI products in such safety-critical applications.

TI products are neither designed nor intended for use in military/aerospace applications or environments unless the TI products are specifically designated by TI as military-grade or "enhanced plastic." Only products designated by TI as military-grade meet military specifications. Buyers acknowledge and agree that any such use of TI products which TI has not designated as military-grade is solely at the Buyer's risk, and that they are solely responsible for compliance with all legal and regulatory requirements in connection with such use.

TI products are neither designed nor intended for use in automotive applications or environments unless the specific TI products are designated by TI as compliant with ISO/TS 16949 requirements. Buyers acknowledge and agree that, if they use any non-designated products in automotive applications, TI will not be responsible for any failure to meet such requirements.

Following are URLs where you can obtain information on other Texas Instruments products and application solutions:

Products

Audio	www.ti.com/audio
Amplifiers	amplifier.ti.com
Data Converters	dataconverter.ti.com
DLP® Products	www.dlp.com
DSP	dsp.ti.com
Clocks and Timers	www.ti.com/clocks
Interface	interface.ti.com
Logic	logic.ti.com
Power Mgmt	power.ti.com
Microcontrollers	microcontroller.ti.com
RFID	www.ti-rfid.com
OMAP Mobile Processors	www.ti.com/omap

Applications

Communications and Telecom	www.ti.com/communications
Computers and Peripherals	www.ti.com/computers
Consumer Electronics	www.ti.com/consumer-apps
Energy and Lighting	www.ti.com/energy
Industrial	www.ti.com/industrial
Medical	www.ti.com/medical
Security	www.ti.com/security
Space, Avionics and Defense	www.ti.com/space-avionics-defense
Transportation and Automotive	www.ti.com/automotive
Video & Imaging	www.ti.com/video
Wireless Connectivity	www.ti.com/wirelessconnectivity
TI E2E Community Home Page	e2e.ti.com

Preface

About This Guide

This document provides an overview of the Inter-Process Communication (IPC) APIs. This version of this document is intended for use with IPC version 1.24 on targets that use SYS/BIOS.

Previous versions of SYS/BIOS were called DSP/BIOS. The new name reflects that this operating system can also be use on processors other than DSPs.

Intended Audience

This document is intended for users of the IPC APIs and creators of implementations of interfaces defined by IPC modules.

This document assumes you have knowledge of inter-process communication concepts and the capabilities of the processors and shared memory available to your application.

Notational Conventions

This document uses the following conventions:

- ❑ When the pound sign (#) is used in filenames or directory paths, you should replace the # sign with the version number of the release you are using. A # sign may represent one or more digits of a version number.
- ❑ Program listings, program examples, and interactive displays are shown in a `mono-spaced font`. Examples use **bold** for emphasis, and interactive displays use **bold** to distinguish commands that you enter from items that the system displays (such as prompts, command output, error messages, etc.).
- ❑ Square brackets ([and]) identify an optional parameter. If you use an optional parameter, you specify the information within the brackets. Unless the square brackets are in a **bold** typeface, do not enter the brackets themselves.

Trademarks

The Texas Instruments logo and Texas Instruments are registered trademarks of Texas Instruments. Trademarks of Texas Instruments include: TI, DaVinci, the DaVinci logo, XDS, Code Composer, Code Composer Studio, Probe Point, Code Explorer, DSP/BIOS, SYS/BIOS, RTDX, Online DSP Lab, DaVinci, eXpressDSP, TMS320, TMS320C6000, TMS320C64x, TMS320DM644x, and TMS320C64x+.

MS-DOS, Windows, and Windows NT are trademarks of Microsoft Corporation.

UNIX is a registered trademark of The Open Group in the United States and other countries.

Linux is a registered trademark of Linus Torvalds.

Solaris, SunOS, and Java are trademarks or registered trademarks of Sun Microsystems, Inc.

All other brand, product names, and service names are trademarks or registered trademarks of their respective companies or organizations.

September 28, 2011

Contents

1	About IPC	1-1
	<i>This chapter introduces IPC, a set of modules designed to facilitate inter-process communication.</i>	
1.1	What is IPC?	1-2
1.2	Requirements	1-3
1.3	About this User Guide	1-3
1.4	Use Cases for IPC	1-4
1.4.1	Minimal Use Scenario	1-5
1.4.2	Data Passing Scenario	1-6
1.4.3	Dynamic Allocation Scenario	1-7
1.4.4	Powerful But Easy-to-Use Messaging with MessageQ	1-8
1.5	Related Documents	1-9
2	The Input/Output Package	2-1
	<i>This chapter describes modules that can be used to handle input and output data.</i>	
2.1	Modules in IPC's ti.sdo.io Package	2-2
2.2	Overview of Streams	2-3
2.3	Configuring a Driver and Acquiring a Driver Handle	2-4
2.4	Streams	2-6
2.4.1	Creating and Deleting Streams	2-6
2.4.2	Streams and Error Blocks	2-7
2.4.3	Stream and the Synchronization Mechanisms	2-8
2.4.4	Using Streams with Tasks	2-9
2.4.5	Using Stream with Swis	2-16
2.4.6	Using Streams with Events	2-20
2.4.7	Using Streams with Generic Callbacks	2-24
2.4.8	Using Stream_read() and Stream_write()	2-24
2.4.9	Stream_abort() and Error Handling	2-25
2.4.10	Constraints When Using Streams	2-26
2.5	The IDriver Interface	2-27
2.5.1	Using the Driver Template Generator	2-27
2.5.2	Driver create() Function	2-28
2.5.3	Driver delete() Function	2-28
2.5.4	IDriver_open() Function	2-28
2.5.5	IDriver_close() Function	2-30
2.5.6	IDriver_submit() Function	2-31

2.5.7	IDriver_control() Function	2-32
2.5.8	Driver ISRs	2-33
2.6	The IConverter Interface	2-34
2.7	The IomAdapter Module	2-36
2.7.1	Mapping IOM Functions to IDriver Functions	2-36
2.8	Porting the Stream Module to Another Operating System	2-37
3	The Inter-Processor Communication Package	3-1
	<i>This chapter introduces the modules in the ti.sdo.ipc package.</i>	
3.1	Modules in the IPC Package	3-2
3.1.1	Including Header Files	3-4
3.1.2	Standard IPC Function Call Sequence	3-5
3.1.3	Error Handling in IPC	3-6
3.2	Ipc Module	3-7
3.2.1	Ipc Module Configuration	3-8
3.2.2	Ipc Module APIs	3-10
3.3	MessageQ Module	3-11
3.3.1	Configuring the MessageQ Module	3-12
3.3.2	Creating a MessageQ Object	3-13
3.3.3	Opening a Message Queue	3-14
3.3.4	Allocating a Message	3-15
3.3.5	Sending a Message	3-17
3.3.6	Receiving a Message	3-19
3.3.7	Deleting a MessageQ Object	3-20
3.3.8	Message Priorities	3-20
3.3.9	Thread Synchronization	3-21
3.3.10	ReplyQueue	3-22
3.3.11	Remote Communication via Transports	3-23
3.3.12	Sample Runtime Program Flow (Dynamic)	3-25
3.4	ListMP Module	3-26
3.5	Heap*MP Modules	3-30
3.5.1	Configuring a Heap*MP Module	3-30
3.5.2	Creating a Heap*MP Instance	3-31
3.5.3	Opening a Heap*MP Instance	3-32
3.5.4	Closing a Heap*MP Instance	3-33
3.5.5	Deleting a Heap*MP Instance	3-33
3.5.6	Allocating Memory from the Heap	3-33
3.5.7	Freeing Memory to the Heap	3-34
3.5.8	Querying Heap Statistics	3-34
3.5.9	Sample Runtime Program Flow	3-35
3.6	GateMP Module	3-36
3.6.1	Creating a GateMP Instance	3-36
3.6.2	Opening a GateMP Instance	3-38
3.6.3	Closing a GateMP Instance	3-38
3.6.4	Deleting a GateMP Instance	3-38
3.6.5	Entering a GateMP Instance	3-38

3.6.6	Leaving a GateMP Instance	3-39
3.6.7	Querying a GateMP Instance	3-39
3.6.8	NameServer Interaction	3-39
3.6.9	Sample Runtime Program Flow (Dynamic)	3-40
3.7	Notify Module	3-41
3.8	SharedRegion Module	3-43
3.8.1	Adding Table Entries Statically.	3-45
3.8.2	Modifying Table Entries Dynamically	3-47
3.8.3	Using Memory in a Shared Region	3-47
3.8.4	Getting Information About a Shared Region	3-48
4	The Utilities Package	4-1
	<i>This chapter introduces the modules in the ti.sdo.utils package.</i>	
4.1	Modules in the Utils Package	4-2
4.2	List Module	4-2
4.2.1	Basic FIFO Operation of a List	4-2
4.2.2	Iterating Over a List	4-3
4.2.3	Inserting and Removing List Elements	4-4
4.2.4	Atomic List Operations	4-5
4.3	MultiProc Module	4-6
4.3.1	Configuring Clusters With the MultiProc Module	4-8
4.4	NameServer Module	4-11
5	Porting IPC	5-1
	<i>This chapter provides an overview of the steps required to port IPC to new devices or systems.</i>	
5.1	Interfaces to Implement	5-2
5.2	Other Porting Tasks	5-2
6	Optimizing IPC Applications	6-1
	<i>This chapter provides hints for improving the runtime performance and shared memory usage of applications that use IPC.</i>	
6.1	Compiler and Linker Optimization	6-2
6.2	Optimizing Runtime Performance.	6-5
6.3	Optimizing Notify and MessageQ Latency	6-6
6.3.1	Choosing and Configuring Notify Drivers	6-7
6.3.2	Choosing and Configuring MessageQ Transports	6-8
6.4	Optimizing Shared Memory Usage.	6-9
6.5	Optimizing Local Memory Usage	6-11
6.6	Optimizing Code Size	6-11
A	Rebuilding IPC	7-1
	<i>This appendix describes how to rebuild the IPC source code.</i>	
A.1	Overview	7-2
A.2	Prerequisites	7-2
A.3	Build Procedure	7-2
A.4	Building Your Project Using a Rebuilt IPC	7-4

B Using IPC on Concerto Devices 8-1
This appendix provides target-specific information about using IPC on Concerto devices.

- B.1 Overview8-2
- B.2 Configuring Applications with IpcMgr8-3
- B.3 Examples for Concerto8-6

About IPC

This chapter introduces IPC, a set of modules designed to facilitate inter-process communication.

Topic	Page
1.1 What is IPC?	1-2
1.2 Requirements.	1-3
1.3 About this User Guide.	1-3
1.4 Use Cases for IPC	1-4
1.5 Related Documents	1-9

1.1 What is IPC?

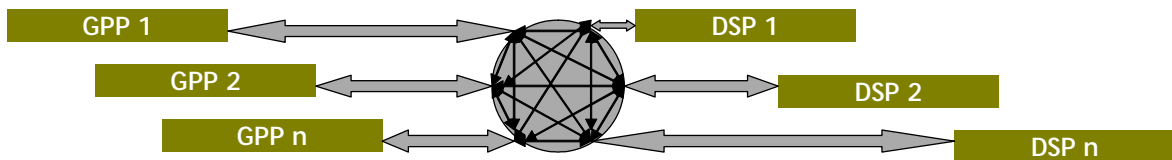
IPC is a component containing packages that are designed to allow communication between processors in a multi-processor environment and communication to peripherals. This communication includes message passing, streams, and linked lists. These work transparently in both uni-processor and multi-processor configurations.

The `ti.sdo.ipc` package contains modules and interfaces for inter-processor communication. The `ti.sdo.io` package contains modules and interfaces to support peripheral communication. The `ti.sdo.utils` package contains utility modules for supporting the `ti.sdo.ipc` modules and other modules.

IPC is designed for use on processors running SYS/BIOS applications. This is typically a DSP, but may be an ARM device in some cases. Previous versions of SYS/BIOS were called DSP/BIOS. The new name reflects that this operating system can also be use on processors other than DSPs.

IPC can be used to communicate with the following:

- other threads on the same processor
- threads on other processors running SYS/BIOS
- threads on GPP processors running SysLink



IPC was designed with the needs of a wide variety of users in mind. In the interest of providing modules that are usable by all groups, the IPC modules are designed to limit the API actions to the basic functionality required. For example, they do not perform their own resource management. It is the responsibility of the calling thread to manage resources and similar issues that are not managed by the IPC modules.

1.2 Requirements

IPC is installed as part of the Code Composer Studio installation. That installation also installs the versions of XDCtools and SYS/BIOS that you will need.

IPC can be used on hosts running any of the following operating systems:

- ❑ Microsoft Windows XP (SP2 or SP3), Vista, or 7
- ❑ Linux (Redhat 4 or 5)

If you are installing separately from CCS, see the `User_install.pdf` file in the `<ipc_install_dir>/docs` directory for installation information and instructions. This file also provides instructions for building the examples outside the CCS environment.

IPC makes use of the following other software components and tools, which must be installed in order to use IPC. See the IPC release notes for the specific versions required by your IPC installation.

- ❑ Code Composer Studio (CCStudio)
- ❑ SYS/BIOS (installed as part of CCStudio)
- ❑ XDCtools (installed as part of CCStudio)

1.3 About this User Guide

See the installation guide provided with IPC for installation information and instructions.

- ❑ Chapter 2, "The Input/Output Package," describes the modules in the `ti.sdo.io` package.
- ❑ Chapter 3, "The Inter-Processor Communication Package," describes the modules in the `ti.sdo.ipc` package.
- ❑ Chapter 4, "The Utilities Package," describes the modules in the `ti.sdo.utils` package.
- ❑ Chapter 5, "Porting IPC," provides an overview of the steps required to port IPC to new devices or systems.
- ❑ Chapter 6, "Optimizing IPC Applications," provides hints for improving the runtime performance and shared memory usage of applications that use IPC.
- ❑ Appendix A, "Rebuilding IPC", explains how to rebuild the IPC libraries if you modify the source files.
- ❑ Appendix B, "Using IPC on Concerto Devices", explains how to use IPC if you are designing applications for Concerto F28M35x devices.

Note: Please see the release notes in the installation before starting to use IPC. The release notes contain important information about feature support, issues, and compatibility information for a particular release.

1.4 Use Cases for IPC

You can use IPC modules in a variety of combinations. From the simplest setup to the setup with the most functionality, the use case options are as follows. A number of variations of these cases are also possible:

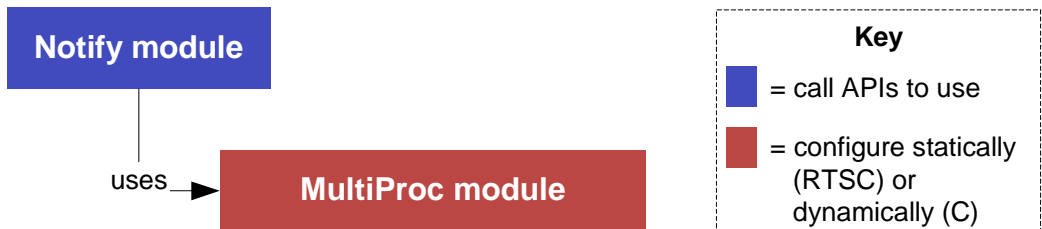
- ❑ **Minimal use of IPC.** This scenario performs inter-processor notification. The amount of data passed with a notification is minimal—typically on the order of 32 bits. This scenario is best used for simple synchronization between processors without the overhead and complexity of message-passing infrastructure. The `<ipc_install_dir>/packages/ti/sdo/ipc/examples/multicore/<platform_name>` directory contains a platform-specific “notify” example for this scenario. See Section 1.4.1.
- ❑ **Add data passing.** This scenario adds the ability to pass linked list elements between processors to the previous minimal scenario. The linked list implementation may optionally use shared memory and/or gates to manage synchronization. See Section 1.4.2.
- ❑ **Add dynamic allocation.** This scenario adds the ability to dynamically allocate linked list elements from a heap. See Section 1.4.3.
- ❑ **Powerful but easy-to-use messaging.** This scenario uses the MessageQ module for messaging. The application configures other modules. However, the APIs for other modules are then used internally by MessageQ, rather than directly by the application. The `<ipc_install_dir>/packages/ti/sdo/ipc/examples/multicore/<platform_name>` directory contains a platform-specific “message” example for this scenario. See Section 1.4.4.

In the following sections, figures show modules used by each scenario.

- ❑ **Blue boxes** identify modules for which your application will call C API functions other than those used to dynamically create objects.
- ❑ **Red boxes** identify modules that require only configuration by your application. Static configuration is performed in a RTSC configuration script (.cfg). Dynamic configuration is performed in C code.
- ❑ **Grey boxes** identify modules that are used internally but do not need to be configured or have their APIs called.

1.4.1 Minimal Use Scenario

This scenario performs inter-processor notification using a Notify driver, which is used by the Notify module. This scenario is best used for simple synchronization in which you want to send a message to another processor to tell it to perform some action and optionally have it notify the first processor when it is finished.



In this scenario, you make API calls to the Notify module. For example, the `Notify_sendEvent()` function sends an event to the specified processor. You can dynamically register callback functions with the Notify module to handle such events.

You must statically configure MultiProc module properties, which are used by the Notify module.

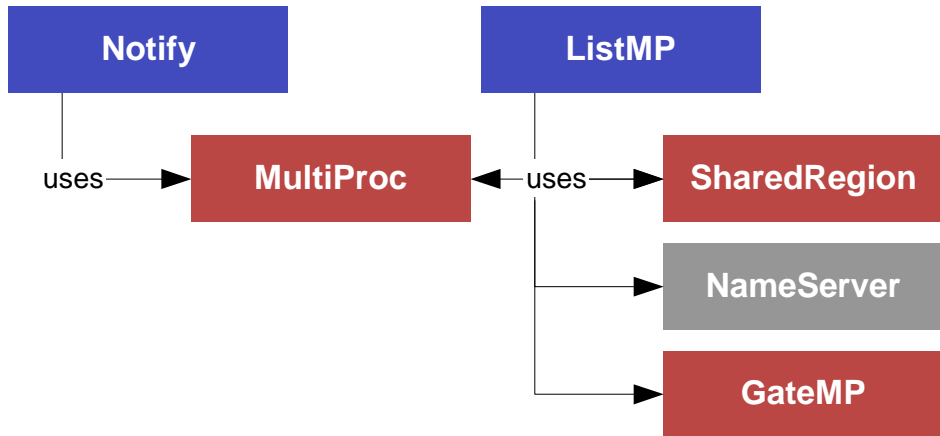
The amount of data passed with a notification is minimal. You can send an event number, which is typically used by the callback function to determine what action it needs to perform. Optionally, a small “payload” of data can also be sent.

The `<ipc_install_dir>/packages/ti/sdo/ipc/examples/multicore/<platform_name>` directory contains a platform-specific “notify” example for this scenario. See Section 3.7, *Notify Module* and Section 4.3, *MultiProc Module*.

Note: If you are using a Concerto F28M35x device, this scenario is supported. See Appendix B for details.

1.4.2 Data Passing Scenario

In addition to the IPC modules used in the previous scenario, you can use the ListMP module to share a linked list between processors.



In this scenario, you make API calls to the Notify and ListMP modules.

The ListMP module is a doubly-linked-list designed to be shared by multiple processors. ListMP differs from a conventional “local” linked list in the following ways:

- ❑ Address translation is performed internally upon pointers contained within the data structure.
- ❑ Cache coherency is maintained when the cacheable shared memory is used.
- ❑ A multi-processor gate (GateMP) is used to protect read/write accesses to the list by two or more processors.

ListMP uses SharedRegion’s lookup table to manage access to shared memory, so configuration of the SharedRegion module is required.

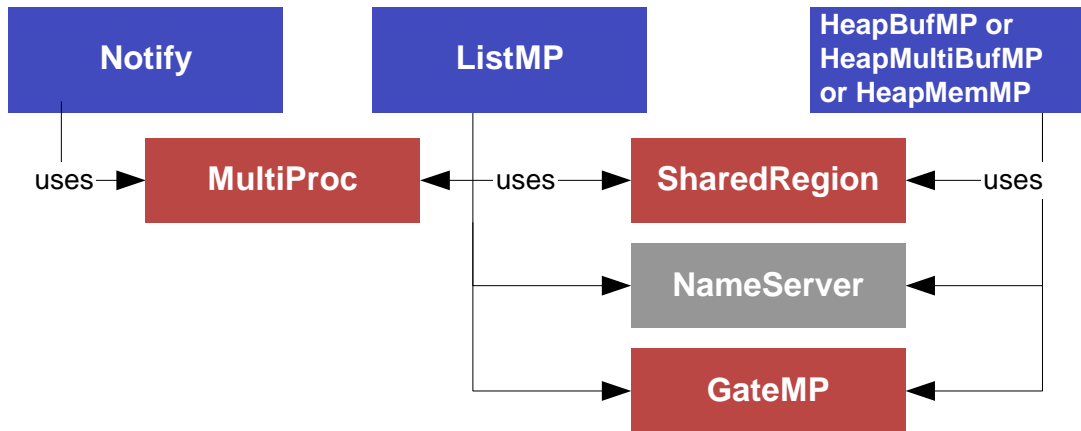
Internally, ListMP can optionally use the NameServer module to manage name/value pairs. The ListMP module also uses a GateMP object, which your application must configure. The GateMP is used internally to synchronize access to the list elements.

See Section 3.4, *ListMP Module*, Section 3.6, *GateMP Module*, Section 3.8, *SharedRegion Module*, and Section 4.4, *NameServer Module*.

Note: If you are using a Concerto F28M35x device, this scenario is not supported due to shared memory limitations. See Appendix B for details.

1.4.3 Dynamic Allocation Scenario

To the previous scenario, you can add dynamic allocation of ListMP elements using one of the Heap*MP modules.



In this scenario, you make API calls to the Notify and ListMP modules and a Heap*MP module.

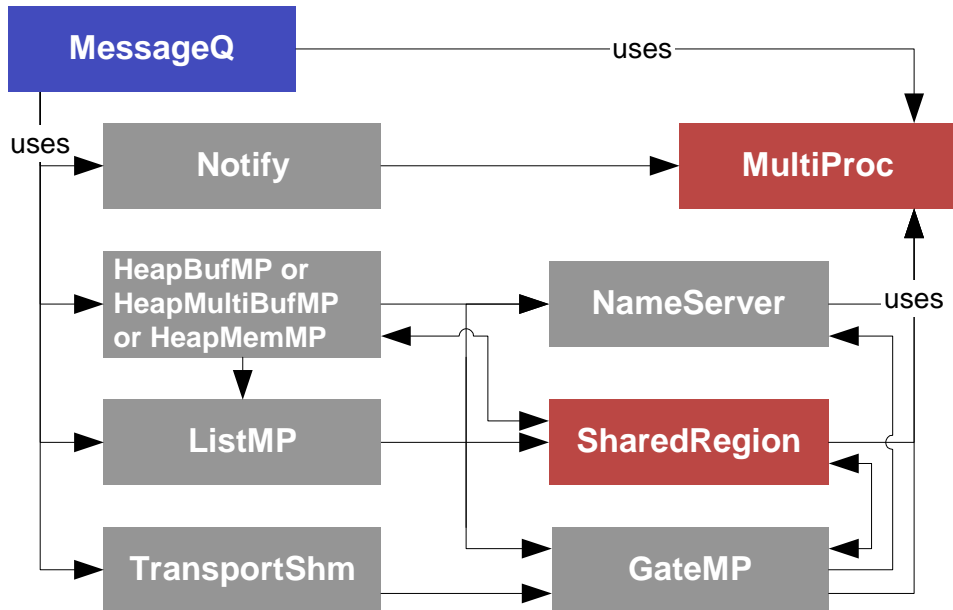
In addition to the modules that you configured for the previous scenario, the Heap*MP modules use a GateMP that you must configure. You may use the same GateMP instance used by ListMP.

See Section 3.5, *Heap*MP Modules* and Section 3.6, *GateMP Module*.

Note: If you are using a Concerto F28M35x device, this scenario is not supported due to shared memory limitations. See Appendix B for details.

1.4.4 Powerful But Easy-to-Use Messaging with MessageQ

Finally, to use the most sophisticated inter-processor communication scenario supported by IPC, you can add the MessageQ module.



In this scenario, you make API calls to the MessageQ module for inter-processor communication.

API calls made to the Notify, ListMP, and Heap*MP modules in the previous scenarios are not needed. Instead, your application only needs to configure the MultiProc and SharedRegion modules.

The `Ipc_start()` API call in your application's `main()` function takes care of configuring all the modules shown here in gray: the Notify, HeapMemMP, ListMP, TransportShm, NameServer, and GateMP modules.

It is possible to use MessageQ in a single-processor application. In such a case, only API calls to MessageQ and configuration of any `xdc.runtime.IHeap` implementation are needed.

The `<ipc_install_dir>/packages/ti/sdo/ipc/examples/multicore` directory contains a "message" example for this scenario.

Note: If you are using a Concerto F28M35x device, this scenario is supported, but fewer modules are used due to shared memory limitations. See Appendix B for details.

1.5 Related Documents

To learn more about IPC APIs and the software products used with it, refer to the following API documentation:

IPC online Doxygen-based documentation. Located at `<ipc_install_dir>/docs/doxygen/html/index.html`. Use this help system to get detailed information about APIs for modules in the `ti.ipc` package. This system does not contain information about static configuration using XDCtools. This documentation details APIs for all IPC modules that have common header files (see Section 3.1.1). Use this documentation for information about the following aspects of IPC:

- ❑ Runtime APIs
- ❑ Status codes
- ❑ Instance creation parameters
- ❑ Type definitions

However, all SYS/BIOS-specific documentation, such as build-time configuration, is located in CDOC (see below).

IPC online CDOC documentation (also called “CDOC”). Open with CCS online help or run `<ipc_install_dir>/docs/cdoc/index.html`. Use this help system to get information about static configuration of IPC modules and objects using XDCtools and about Error/Assert messages. This help system also contains information about APIs in IPC packages other than `ti.ipc` and for use if you are building your own modules based on IPC modules and interfaces.

Important: Do not use the CDOC help system to get information about APIs and other aspects of modules in the `ti.ipc` package. The information in the CDOC system for `ti.sdo.ipc` package modules does not reflect the interfaces provided by the recommended header files.

- ❑ *RTSC-Pedia Wiki*: <http://rtsc.eclipse.org/docs-tip>
- ❑ *Texas Instruments Developer Wiki*: <http://wiki.davincidsp.com>
- ❑ *SYS/BIOS 6 Release Notes*:
(`BIOS_INSTALL_DIR/Bios_6_##_release_notes.html`).
- ❑ *SYS/BIOS 6 Getting Started Guide*:
(`BIOS_INSTALL_DIR/docs/Bios_Getting_Started_Guide.pdf`).
- ❑ *XDCtools and SYS/BIOS online help*: Open with CCS online help.
- ❑ *TMS320 SYS/BIOS 6 User's Guide* (SPRUJEX3)
- ❑ In CCS, templates for projects that use IPC are available when you create a CCS project with RTSC support enabled.

The Input/Output Package

This chapter describes modules that can be used to handle input and output data.

Topic	Page
2.2 Overview of Streams	2-3
2.3 Configuring a Driver and Acquiring a Driver Handle	2-4
2.4 Streams	2-6
2.5 The IDriver Interface	2-27
2.6 The IConverter Interface	2-34
2.7 The IomAdapter Module	2-36
2.8 Porting the Stream Module to Another Operating System	2-37

2.1 Modules in IPC's ti.sdo.io Package

The ti.sdo.io package contains the following modules, which are described in this chapter:

- ❑ **DriverTable.** See Section 2.3, *Configuring a Driver and Acquiring a Driver Handle*.
- ❑ **DriverTypes.** See Section 2.5, *The IDriver Interface*.
- ❑ **IConverter.** See Section 2.6, *The IConverter Interface*.
- ❑ **IDriver.** See Section 2.5, *The IDriver Interface*.
- ❑ **Stream.** See Section 2.4, *Streams*.
- ❑ **Transformer.** See Section 2.6, *The IConverter Interface*.
- ❑ **Generator.** See Section 2.4.4, *Using Streams with Tasks*.
- ❑ **IomAdapter.** See Section 2.7, *The IomAdapter Module*.
- ❑ **DriverTemplate.** See Section 2.5.1, *Using the Driver Template Generator*.

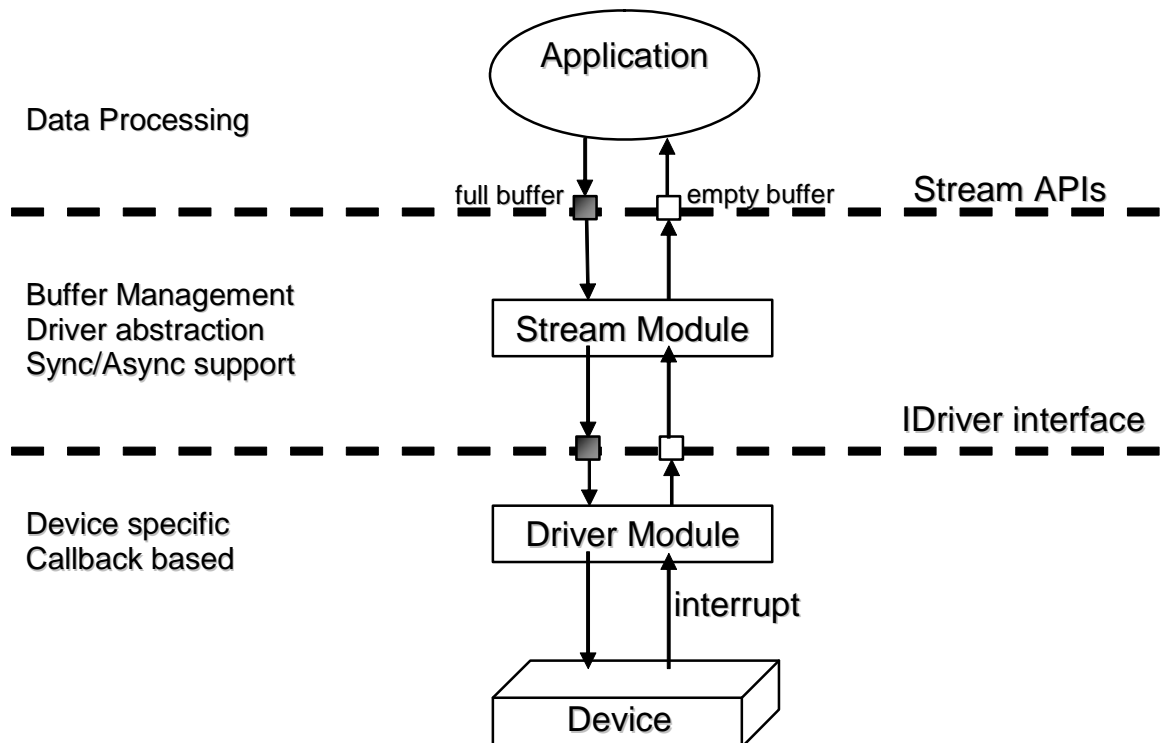
2.2 Overview of Streams

This chapter describes how you can use “streams” for data input and output. You use the Stream module to send data to an output channel or receive data from an input channel.

Streams are an abstraction of device drivers. They allow you to develop applications that do not directly interact with driver code. This allows the application to be developed in a driver-independent and platform-independent manner.

The Stream module also allows your application to process one buffer while the driver is working on another buffer. This improves performance and minimizes the copying of data. The typical use case for the Stream module is that an application gets a buffer of data from an input channel, processes the data and sends the data to an output channel.

The following figure shows a typical flow of data through an output channel.



In this use case, the application calls Stream module APIs. Those APIs manage buffers and the driver abstraction. Internally, the Stream module APIs calls the implementation of the IDriver interface for the driver.

2.3 Configuring a Driver and Acquiring a Driver Handle

Drivers are RTSC modules that inherit from `ti.sdo.io.IDriver`. A driver module manages peripherals. A driver modules manages all instances of a peripheral. For example, a hypothetical third-party Uart driver manages all UARTs in the system, and a Uart instance equates to a UART device.

An application configures a driver and gets a handle to a driver instance by following these steps:

- 1) **Enable modules.** The static configuration (cfg file) must include a `xdc.useModule` for each module it will use. For example, here are the `xdc.useModule` statements you need for the modules used in this section:

```
var Uart = xdc.useModule('thirdparty.drivers.Uart');
var DriverTable = xdc.useModule('ti.sdo.io.DriverTable');
var Stream = xdc.useModule('ti.sdo.io.Stream');
```

- 2) **Configure the driver module.** This step is optional because the driver may have defaults that suit the application. The driver is configured as part of the static configuration (cfg file). Typically, module-level properties apply to all instances of the device driver. For example, DMA support and the number of channels allowed might be two such properties. The driver may also allow the setting of default channel properties as part of the static configuration. For example:

```
Uart.edmaSupport = true;
```

- 3) **Create a driver instance.** An application creates a driver instance to mark a peripheral for use. This step can be performed in the static configuration or at run-time. The driver will support resource management and prevent the peripheral from being used (created) again. Some drivers manage several peripherals; in such cases, the driver allows the application to specify a `deviceId` as part of its `create` parameters. A driver may support other `create()` parameters, which typically apply to all channels supported by an instance.

Configuration example: This CFG example uses XDCtools to create a UART driver instance called “uart” with the default properties.

```
var uartParams = new Uart_Params;
uartParams.instance.name = "uart";
var uartHdl = Uart.create(uartParams);
```

Run-time example: This C example creates a UART driver instance called "uart" with the default properties.

```
Uart_Handle uartHdl;  
Uart_Params uartParams;  
  
Uart_Params_init(&uartParams);  
uartParams.instance->name = "uart";  
uartHdl = Uart_create(&uartParams, &eb);
```

- 4) **Add the device driver handle to the driver table.** Before the Stream module APIs can use a device driver instance, the instance needs to be added to a driver table managed by the DriverTable module. This table associates names with drivers. The name has to have a particular format—it has to begin with a "/". (See Section 2.6 for the reasons behind this convention.) This step can be performed in the static configuration or at run-time.

Configuration example: This statement associates the uartHdl you obtained in the previous step with the name "/uart0". Note: A slash "/" is required at the beginning of a driver name.

```
DriverTable.addMeta("/uart0", uartHdl);
```

Run-time example: This C statement associates the uartHdl you obtained in the previous step with the name "/uart0".

```
DriverTable_add("/uart0", uartHdl, &eb);
```

2.4 Streams

This section describes how to create and use streams as abstractions for drivers after you have associated a driver handle with a driver name as described in the previous section.

2.4.1 Creating and Deleting Streams

An application creates a Stream by specifying a device driver by name. The name is the same as the name you associated with a driver in the DriverTable.

One important point is that a Stream instance corresponds to a single channel (either input or output). Several Stream instances can be created using the same driver instance. If the driver instance supports two channels, then two Stream instances can be created using the same driver.

The Stream_create() API creates a Stream instance. It has the following parameters:

```
Stream_Handle Stream_create(
    String          name,
    UInt           mode,
    const Stream_Params *prms,
    xdc_runtime_Error_Block *eb)
```

The Stream_Params allows you to specify the following parameters:

```
struct Stream_Params {
    xdc_runtime_Instance_Params *instance;
    UInt maxIssues;
    xdc_runtime_IHeap_Handle packetHeap;
    xdc_runtime_knl_ISync_Handle sync;
    UArg chanParams;
};
```

The driver **name** and **mode** are required parameters for creating a Stream instance. The driver name must be present in the driver table.

The **mode** is either Stream_INPUT or Stream_OUPUT.

Stream_Params allow you to set optional parameters.

- ❑ The "instance" field allows you to specify a name for the Stream instance. The name will show up in the RTA and ROV run-time tools.
- ❑ The "maxIssues" field specifies the maximum numbers of buffers that can be issued to the stream using Stream_issue() before a buffer is reclaimed using Stream_reclaim(). This is 2 by default. If you will use Stream_read() and Stream_write() only, you can set this parameter to one.

- ❑ The "packetHeap" specifies the heap that the Stream instance can use to allocate IO packets that are used internally to submit IO jobs to the driver. See Section 2.5.6 for details on IO Packets.
- ❑ The "sync" field selects a synchronization mechanism for that Stream instance. When this is left at its default of NULL, Stream creates a Semaphore instance for synchronization. See Section 2.4.3 for more on synchronization mechanisms.
- ❑ The "chanParams" configures the driver channel and is sent along to the driver's open() call. The chanParams are driver-specific. Typically drivers allow default channel params to be statically configured. To override defaults, the client can pass chanParams down to the driver by setting the chanParams field in Stream.Params.

Stream_create() also takes an **Error_Block** as an argument and can fail. Stream_create() returns a Stream_Handle that can then be used to send or receive data.

See the online documentation for more about Stream_create().

Important Note: A Stream_Handle cannot be used by more than one task simultaneously. One task must finish a Stream_read() or Stream_write() or Stream_issue()/Stream_reclaim() before another Task can use the same Stream_Handle. It is safer if a Stream_Handle is used only by a single task.

Stream_delete() deletes a stream and frees all resources allocated during Stream_create(). This frees up the driver channel in use.

2.4.2 Streams and Error Blocks

A number of functions in the ti.sdo.io package use an Error_Block as an argument. An Error_Block is a structure defined by the xdc.runtime.Error module. You can create and use an Error_Block as follows:

```
#include <xdc/runtime/Error.h>

Error_Block eb;                /* usually global */
...
Error_init(&eb);               /* usually in main() */
...
Stream_issue(handleIn, pbuf, BUFSIZE, NULL, &eb);
```

Your application can then test the value in "eb" to see if what error was returned.

When you are first developing an application, you may want to simply pass NULL instead of `&eb` for such `Error_Block` arguments. If an error occurs, the NULL will cause the program to fail with a `System_abort()`, making it relatively easy to debug.

2.4.3 Stream and the Synchronization Mechanisms

The `Stream` module uses `xdc.runtime.knl.Sync` for synchronization. The `xdc.runtime.knl.Sync` module provides two main functions `Sync_signal()` and `Sync_wait()`.

These functions take an `ISync_Handle` as the first parameter. An `ISync_Handle` must first be obtained by a module that implements the `ISync` interface. Various implementations of these interfaces handle synchronization of Streams in different ways.

The `xdc.runtime.knl` package provides the following implementations of the `ISync` interface:

- ❑ **SyncSemThread** (the default) is a BLOCKING implementation that is built on top of the `xdc.runtime.knl.SemThread` module.
- ❑ **SyncGeneric** can be used with any two functions that provide the `ISync_signal()` and `ISync_wait()` functionality. See Section 2.4.7.
- ❑ **SyncNull** performs no synchronization.

`SYS/BIOS` contains several implementations of the `ISync` interface in the `ti.sysbios.syncs` package:

- ❑ **SyncSem** is based on Semaphores and is BLOCKING. See Section 2.4.4.
- ❑ **SyncSwi** is based on Swis and is NON-BLOCKING. See Section 2.4.5.
- ❑ **SyncEvent** is based on Events and is NON-BLOCKING. See Section 2.4.6.

Instead of tying itself to a particular module for synchronization, the `Stream` module allows you to pick an `ISync` implementation module. You can select an `ISync` implementation for a stream instance using the instance-level configuration parameter "sync".

If you pass NULL for the "sync" parameter to `Stream_create()`, the `Stream` module creates a `SyncSemThread` instance for the `Stream` instance. This translates to a Semaphore instance for this `Stream` instance.

The `Stream` module calls `ISync_signal()` in the callback path when IO completes. It calls `ISync_wait()` from `Stream_reclaim()` when IO has not been completed.

2.4.4 Using Streams with Tasks

`Stream_issue()` and `Stream_reclaim()` can be used with Task threads. This is the most common use case. The application first creates a Stream instance. By default Stream uses `SyncSemThread`.

The application calls `Stream_issue()` with a buffer and size. It is possible to pass in a semaphore instance owned by the application during `Stream_create()`. See Section 2.4.4.1 for details.

`Stream_issue()` sends a buffer to a stream. No buffer is returned, and the application no longer owns the buffer. `Stream_issue()` returns control to the task without blocking. The buffer has been given to the driver for processing. Internally, Stream uses a `DriverTypes_Packet` to submit a job to the driver.

At a later time when the application is ready to get the buffer back, `Stream_reclaim()` is called. This call to `Stream_reclaim()` blocks if the driver has not completed processing the IO packet.

When the driver has finished processing the buffer, an ISR occurs and the driver performs a callback to Stream. Stream receives the processed IO packet in the callback context, queues it up and calls `ISync_signal()`. This call is routed to `SyncSemThread_signal()`, which posts the Semaphore. Control returns to the application task and the application can work on the returned buffer.

If a timeout occurs, the application needs to call `Stream_abort()` to force the driver to return buffers currently being processed and queued for processing.

Is it possible for `Stream_reclaim()` to raise an error. This error is reported by the driver in the IO packet. `Stream_reclaim()` also raises an error if no buffers have been issued.

The `Stream_issue/Stream_reclaim` APIs provide flexibility by allowing the application to control the number of outstanding buffers at runtime. A client can send multiple buffers to a stream without blocking by using `Stream_issue()`. The buffers are returned, at the client's request, by calling `Stream_reclaim()`. This allows the client to choose how deep to buffer a device and when to block and wait for a buffer.

The `Stream_issue/Stream_reclaim` APIs guarantee that the client's buffers are returned in the order in which they were issued. This allows a client to use memory from any source for streaming. For example, if a SYS/BIOS task receives a large buffer, that task can pass the buffer to the stream in small pieces simply by advancing a pointer through the larger buffer and calling `Stream_issue()` for each piece. This works because each piece of the buffer is guaranteed to come back in the same order it was sent.

The `Stream_issue()` API has the following parameters:

```
Void Stream_issue(  
    Stream_Handle  handle,  
    Ptr            buf,  
    SizeT         size,  
    UArg          arg,  
    Error_Block   *eb);
```

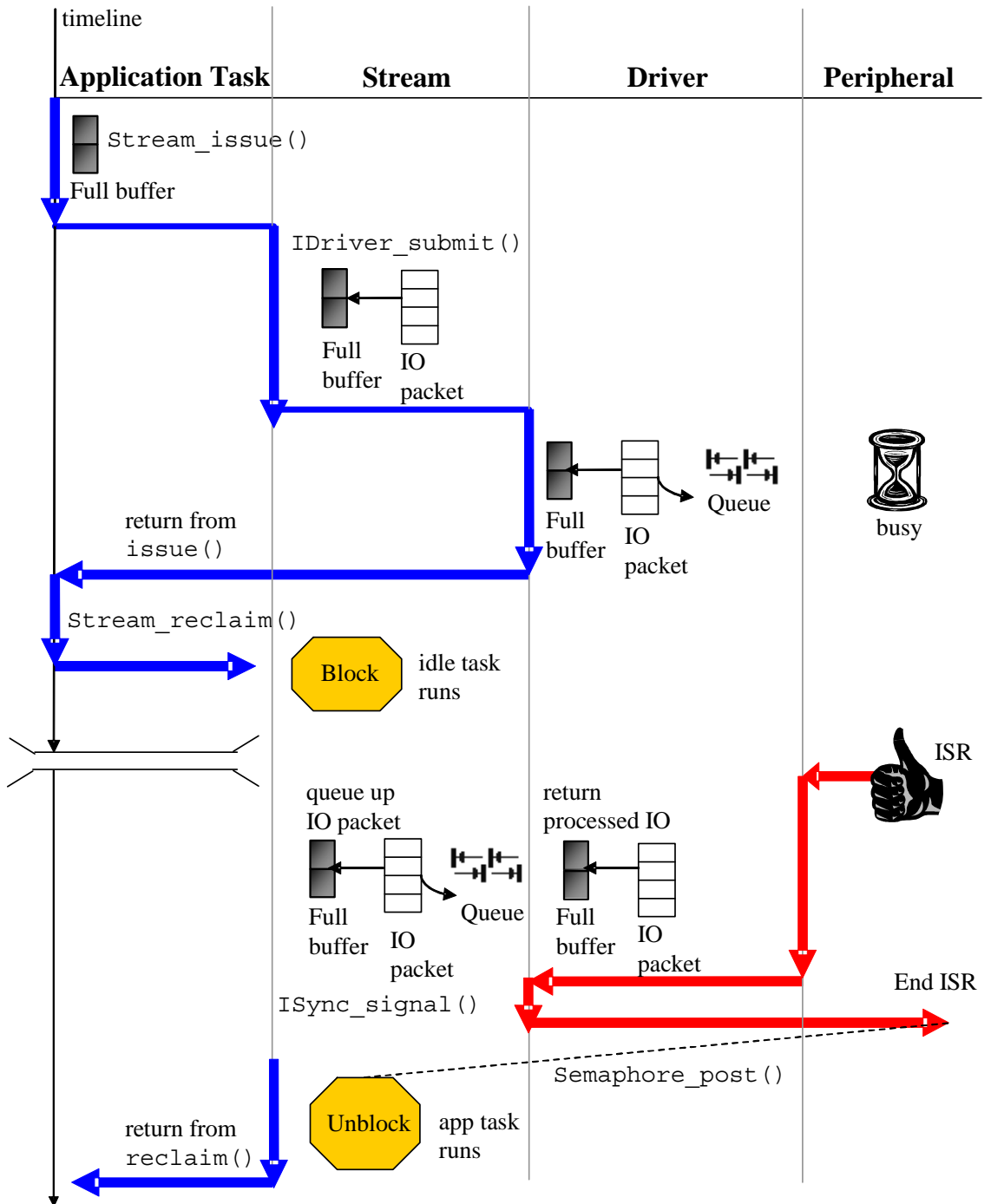
The `Stream_reclaim()` API has the following parameters:

```
SizeT Stream_reclaim(  
    Stream_Handle  handle,  
    Ptr           *pbufp,  
    UInt          timeout,  
    UArg          *parg,  
    Error_Block   *eb);
```

See the online documentation for more about these APIs.

The "arg" parameter is not interpreted by SYS/BIOS, but is offered as a service to the application. The arg parameter can be used by the application to associate some data with the buffer—for example, the format of data in the buffer. This arg is passed down to the driver and returned to the application through `Stream_reclaim()`. The application can use the arg to communicate to the driver. For example, arg could be used to send a timestamp to an output device, indicating exactly when the data is to be rendered. The driver treats the arg as a read-only field.

The following figure shows the control flow for Streams used with Tasks.



The following example uses `Stream_issue()` and `Stream_reclaim()` in a Task. "Generator" is a driver provided with SYS/BIOS. All instances are dynamically created in this example.

Configuration code: The following configuration file excerpt includes an `xdc.useModule` statement for each IO-related module used in the application:

```
var BIOS = xdc.useModule('ti.sysbios.BIOS');
var Task = xdc.useModule('ti.sysbios.knl.Task');
var Stream = xdc.useModule('ti.sdo.io.Stream');
var DriverTable = xdc.useModule('ti.sdo.io.DriverTable');
var Generator = xdc.useModule('ti.sdo.io.drivers.Generator');
```

```
DriverTable.maxRuntimeEntries = 1;
```

Run-time code: This C code uses `Stream_issue()` and `Stream_reclaim()` in a Task:

```
#include <xdc/std.h>
#include <xdc/runtime/System.h>
#include <ti/sysbios/BIOS.h>
#include <ti/sysbios/knl/Task.h>
#include <xdc/cfg/global.h>

#include <ti/sdo/io/Stream.h>
#include <ti/sdo/io/DriverTable.h>
#include <ti/sdo/io/drivers/Generator.h>

#define BUFSIZE 16
#define NBUFS 5

Void genSine(Ptr bufp, size_t nmaus, UArg arg);
Void myPrintf(Ptr bufp, size_t nmaus, UArg arg);

Int buf[BUFSIZE];
Ptr pbuf = &buf;
Int count = 1;

Stream_Handle handleIn, handleOut;

Generator_ChanParams genParamsIn = {genSine, NULL, FALSE};
Generator_ChanParams genParamsOut = {myPrintf, NULL, FALSE};

Void tsk0Fxn(UArg arg1, UArg arg2);
```

```

/*
 * ===== genSine =====
 * Function to simulate input channel. Generates a sine wave.
 */
Void genSine(Ptr bufp, size_t nmaus, UArg arg)
{
    Int i;
    Int *dst = (Int *)bufp;
    static Int data[16] = {
        0, 11793, 22594, 29956, 32767, 29956, 22594, 11793,
        0, -11793, -22594, -29956, -32767, -29956, -22594, -11793
    };

    for (i = 0; i < nmaus / sizeof(Int); i++) {
        dst[i] = data[i & 0xf];
    }
}

/*
 * ===== myPrintf =====
 * Function to simulate output channel. Prints the buffer
 */
Void myPrintf(Ptr bufp, size_t nmaus, UArg arg)
{
    Int i;
    Int *src = (Int *)bufp;

    for (i = 0; i < (nmaus / sizeof(Int)); i++) {
        System_printf("%d\n", src[i]);
    }
}

/*
 * ===== main =====
 */
Int main(Int argc, Char* argv[])
{
    Stream_Params streamParams;
    Generator_Handle driverHdl;

    /* Create a Generator instance */
    driverHdl = Generator_create(NULL, NULL);

    /* Add Generator instance to DriverTable */
    DriverTable_add("/genDevice",
        Generator_Handle_upCast(driverHdl), NULL);
}

```

```
    /* Create input stream */
    Stream_Params_init(&streamParams);
    streamParams.chanParams = (UArg)&genParamsIn;
    handleIn = Stream_create("/genDevice", Stream_INPUT,
        &streamParams, NULL);

    /* Create output stream */
    streamParams.chanParams = (UArg)&genParamsOut;
    handleOut = Stream_create("/genDevice", Stream_OUTPUT,
        &streamParams, NULL);

    Task_create(tsk0Fxn, NULL, NULL);

    BIOS_start();

    return(0);
}

/*
 * ===== tsk0Fxn =====
 * Task that owns input channel and output channel stream.
 */
Void tsk0Fxn (UArg arg1, UArg arg2)
{
    for (;;) {
        /* buf gets filled with sine data */
        Stream_issue(handleIn, pbuf, BUFSIZE, NULL, NULL);
        Stream_reclaim(handleIn, &pbuf, BIOS_WAIT_FOREVER,
            NULL, NULL);

        System_printf("Printing sine data %dth time\n", count);

        /* buf filled with sine data is printed out */
        Stream_issue(handleOut, pbuf, BUFSIZE, NULL, NULL);
        Stream_reclaim(handleOut, &pbuf, BIOS_WAIT_FOREVER,
            NULL, NULL);

        count++;

        if (count > NBUFS) {
            BIOS_exit(0);
        }
    }
}
```


2.4.4.1 Using a Semaphore Instance Created by the Application with a Stream Instance

There may be cases where the application does not want Stream to create a Semaphore for synchronization, and instead wants to supply its own Semaphore to Stream. The following code snippet shows how to do this.

```
#include <ti/sysbios/syncs/SyncSem.h>
#include <ti/sysbios/ipc/Semaphore.h>
#include <ti/sdo/io/Stream.h>

/*
 * ===== main =====
 */
Int main(Int argc, Char* argv[])
{
    Stream_Params streamParams;
    SyncSem_Params syncParams;
    SyncSem_Handle syncSem;

    /* Create input stream */
    SyncSem_Params_init(&syncParams);
    syncParams.sem = Semaphore_create(0, NULL, NULL);
    syncSem = SyncSem_create(&syncParams, NULL);

    Stream_Params_init(&streamParams);
    streamParams.chanParams = (UArg)&genParamsIn;
    streamParams.sync = SyncSem_Handle_upCast(syncSem);
    handleIn = Stream_create("/genDevice", Stream_INPUT,
        &streamParams, NULL);
}
```

2.4.5 Using Stream with Swis

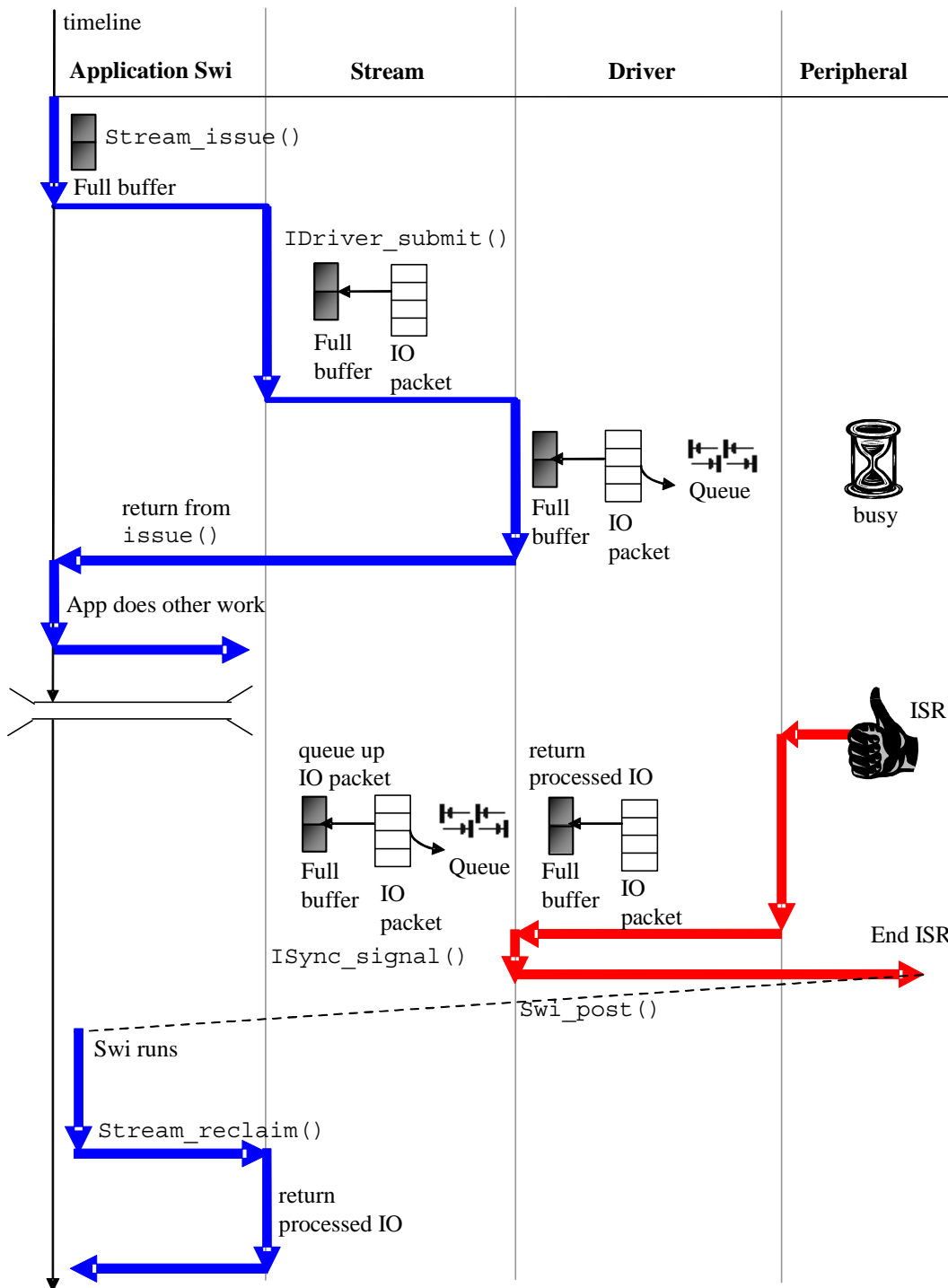
Stream_issue() and Stream_reclaim() can also be used with Swi threads. The client first creates a Stream Instance. The application has to populate the "sync" field in the Stream_Params struct. This sync field needs to be assigned to a SyncSwi instance.

The application needs to follow these steps to get a SyncSwi_Handle.

- 1) Create a Swi instance.
- 2) Populate the "swi" field of a SyncSwi_Params struct with the Swi_Handle received in the previous step.
- 3) Create a SyncSwi instance using the SyncSwi_Params struct.
- 4) Populate the "sync" field in Stream_Params struct with the SyncSwi_Handle received from the previous step.

The Stream module calls ISync_signal() in the callback path when IO completes. This results in a Swi_post(). The swi runs and calls Stream_reclaim() to get back the processed buffer.

SyncSwi_wait() does nothing and returns FALSE for timeout. The data flow is shown in the following figure.



The following example uses `Stream_issue()` and `Stream_reclaim()` in a Swi. "Generator" is a driver provided with SYS/BIOS. All instances are statically created in this example. This example uses the `genSine` and `myPrintf` functions from the previous section; they are not repeated in this example.

Configuration code: The following configuration file excerpt statically creates all the instances used in the application:

```
var BIOS = xdc.useModule('ti.sysbios.BIOS');
var Swi = xdc.useModule('ti.sysbios.knl.Swi');

var Stream = xdc.useModule('ti.sdo.io.Stream');
var Generator = xdc.useModule('ti.sdo.io.drivers.Generator');
var SyncSwi = xdc.useModule('ti.sysbios.syncs.SyncSwi');
var DriverTable = xdc.useModule('ti.sdo.io.DriverTable');

/* create a Swi instance */
var swi0 = Swi.create("&swi0Fxn");

/* create a generator instance and add to DriverTable */
var driverHdl = Generator.create();
DriverTable.addMeta("/genDevice", driverHdl);

/* Prep for SyncSwi instance */
var syncPrms = new SyncSwi.Params();
syncPrms.swi = swi0;

/* input channel creation */
var genParamsIn = new Generator.ChanParams();
genParamsIn.userFxn = "&genSine";
genParamsIn.userArg = null;
genParamsIn.async = true;

var streamPrms = new Stream.Params();
streamPrms.chanParams = genParamsIn;
streamPrms.sync = SyncSwi.create(syncPrms);
Program.global.handleIn = Stream.create("/genDevice",
Stream.INPUT, streamPrms);
```

```

/* output channel creation */
var genParamsOut = new Generator.ChanParams();
genParamsOut.userFxn = "&myPrintf";
genParamsOut.userArg = null;
genParamsOut.async = true;

var streamPrms = new Stream.Params();
streamPrms.chanParams = genParamsOut;
streamPrms.sync = SyncSwi.create(syncPrms);
Program.global.handleOut = Stream.create("/genDevice",
Stream.OUTPUT, streamPrms);

```

Run-time code: This C code uses `Stream_issue()` and `Stream_reclaim()` in a `Swi`:

```

#include <xdc/std.h>
#include <xdc/runtime/System.h>

#include <ti/sysbios/BIOS.h>
#include <ti/sysbios/knl/Swi.h>
#include <ti/sdo/io/Stream.h>

#define BUFSIZE 128
Int buf[BUFSIZE];
Ptr pbuf = &buf;

extern Stream_Handle handleIn, handleOut;
Int count = 0;

/*
 * ===== main =====
 */
Int main(Int argc, Char* argv[])
{
    Stream_issue(handleIn, &buf, BUFSIZE, NULL, NULL);

    BIOS_start();

    return(0);
}

```

```
/*
 * ===== swi0Fxn =====
 */
Void swi0Fxn (UArg arg1, UArg arg2)
{
    Stream_reclaim(handleIn, &pbuf, BIOS_WAIT_FOREVER,
        NULL, NULL);

    /* work on buffer here */

    Stream_issue(handleIn, pbuf, BUFSIZE, NULL, NULL);

    count++;
    if (count >= 5) {
        BIOS_exit(0);
    }
}
```

2.4.6 Using Streams with Events

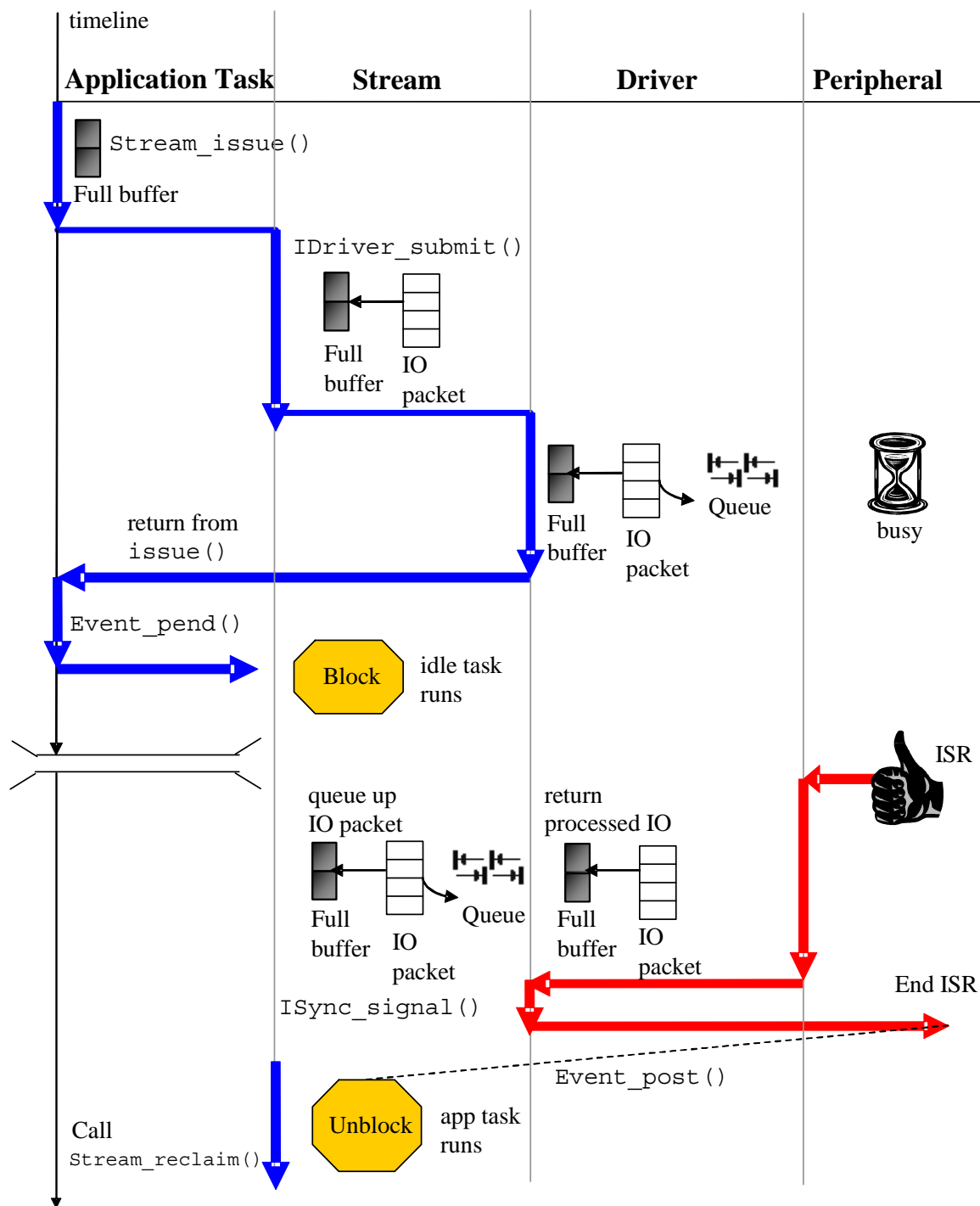
There are cases where a Task needs to wait on multiple events. For example, a Task may need to wait for a buffer from an input channel or a message from the host. In such cases, the Task should use the `Event_pend()` API to "wait on multiple" items. See the *SYS/BIOS User's Guide* (SPRUEX3) for more information on Events.

In order to use Streams with the Event module, the Stream needs to be created using the following steps:

- 1) Create an Event instance.
- 2) Populate the "event" field of the `SyncEvent_Params` struct with the `Event_Handle` received from the previous step.
- 3) Create a `SyncEvent` instance using the `SyncEvent_Params` struct.
- 4) Populate the "sync" field in the `Stream_Params` struct with the `SyncEvent_Handle` received from the previous step.

For the example later in this section, the application first primes the channel by calling `Stream_issue()`. When the worker task runs, it calls `Event_pend()` and BLOCKS waiting for IO completion.

When IO is complete, the Stream module calls `ISync_signal()`, which results in an `Event_post()` call. The Task wakes up, checks which event happened, and calls `Stream_reclaim()` to get the processed buffer.



The following example uses `Stream_issue()` and `Stream_reclaim()` with an Event. "Generator" is a driver provided with SYS/BIOS. The Event and the Generator driver are statically created in this example. This example uses the `genSine` and `myPrintf` functions from the previous section; they are not repeated in this example.

Configuration code: The following configuration file excerpt statically creates all the Event and Generator instances used in the application:

```
var BIOS = xdc.useModule('ti.sysbios.BIOS');
var Task = xdc.useModule('ti.sysbios.knl.Task');
var Stream = xdc.useModule('ti.sdo.io.Stream');
var Event = xdc.useModule('ti.sysbios.ipc.Event');
var SyncEvent = xdc.useModule('ti.sysbios.syncs.SyncEvent');
var Generator = xdc.useModule('ti.sdo.io.drivers.Generator');
var DriverTable = xdc.useModule('ti.sdo.io.DriverTable');

Program.global.evt0 = Event.create();

/* create a Generator instance and add to DriverTable */
var driverHdl = Generator.create();
DriverTable.addMeta("/genDevice", driverHdl);
```

Run-time code: This C code uses `Stream_issue()` and `Stream_reclaim()` in a Task using an Event:

```
#include <xdc/std.h>
#include <xdc/runtime/System.h>

#include <ti/sysbios/BIOS.h>
#include <ti/sysbios/knl/Task.h>
#include <ti/sysbios/ipc/Event.h>
#include <ti/sysbios/sync/SyncEvent.h>
#include <ti/sdo/io/Stream.h>
#include <ti/sdo/io/drivers/Generator.h>

#define BUFSIZE 128
Int buf1[BUFSIZE];
Int buf2[BUFSIZE];
Ptr pbuf = &buf1;

Stream_Handle handleIn, handleOut;
extern Event_Handle evt0;
```



```
Void genSine(Ptr bufp, size_t nmaus, UArg arg);
Void myPrintf(Ptr bufp, size_t nmaus, UArg arg);
Void tsk0Fxn(UArg arg1, UArg arg2);

Generator_ChanParams genParamsIn = {genSine, NULL, FALSE};
Generator_ChanParams genParamsOut = {myPrintf, NULL, FALSE};

/* ===== main ===== */
Int main(Int argc, Char* argv[])
{
    SyncEvent_Params syncEvtParams;
    Stream_Params streamParams;

    SyncEvent_Params_init(&syncEvtParams);
    syncEvtParams.event = evt0;

    Stream_Params_init(&streamParams);

    streamParams.chanParams = (UArg) &genParamsIn;
    streamParams.sync =
        SyncEvent_Handle_upCast(SyncEvent_create(&syncEvtParams,
        NULL));
    handleIn = Stream_create("/genDevice", Stream_INPUT,
        &streamParams, NULL);

    streamParams.chanParams = (UArg) &genParamsOut;
    streamParams.sync =
        SyncEvent_Handle_upCast(SyncEvent_create(&syncEvtParams,
        NULL));
    handleOut = Stream_create("/genDevice", Stream_OUTPUT,
        &streamParams, NULL);

    Task_create(tsk0Fxn, NULL, NULL);

    Stream_issue(handleIn, &buf1, BUFSIZE, NULL, NULL);
    Stream_issue(handleOut, &buf2, BUFSIZE, NULL, NULL);

    BIOS_start();
    return(0);
}
```

```
/* ===== tsk0Fxn ===== */
Void tsk0Fxn (UArg arg1, UArg arg2)
{
    Bits32 mask;

    mask = Event_pend(evt0, Event_Id_00 + Event_Id_01,
        Event_Id_NONE, BIOS_WAIT_FOREVER);

    System_printf("Awake after Event_pend, mask = %d \n", mask);

    Stream_reclaim(handleIn, &pbuf, BIOS_NO_WAIT, NULL, NULL);
    Stream_reclaim(handleOut, &pbuf, BIOS_NO_WAIT, NULL, NULL);

    BIOS_exit(0);
}
```

2.4.7 Using Streams with Generic Callbacks

It is possible for the application to provide two functions equivalent to `ISync_signal()` and `ISync_wait()` using the `xdc.runtime.knl.SyncGeneric` module.

One use case for this is when the application will use `Stream` with a simple callback. The application then provides its callback function as the signal function to `SyncGeneric_create()`. The `Stream` module then invokes the application callback when IO completes. The application can reclaim the buffer within the callback function.

2.4.8 Using `Stream_read()` and `Stream_write()`

`Stream_read()` and `Stream_write()` are simply wrappers on top of the `Stream_issue()` and `Stream_reclaim()` APIs. While `Stream_issue()` and `Stream_reclaim()` are used for both input and output streams, `Stream_read()` is used only for input streams, and `Stream_write()` is used only for output streams.

- ❑ `Stream_read()` is equivalent to a `Stream_issue()/Stream_reclaim()` pair for an input channel.
- ❑ `Stream_write()` is equivalent to an `Stream_issue()/Stream_reclaim()` pair for an output channel.

The `Stream_read()` API has the following parameters:

```
SizeT Stream_read(
    Stream_Handle  handle,
    Ptr           bufp,
    SizeT         size,
    UInt          timeout,
    Error_Block   *eb);
```

The application calls `Stream_read()` with an empty buffer and a size. The size of the buffer should be greater than or equal to the size requested. Upon returning from `Stream_read()`, the application has a full buffer. `Stream_read()` blocks until the buffer is filled or a timeout occurs.

Note: When a Stream is associated with an `ISync_Handle` that is non-blocking, `Stream_read()` raises an error.

The `Stream_write()` API has the following parameters:

```
SizeT Stream_write(
    Stream_Handle  handle,
    Ptr           bufp,
    SizeT         size,
    UInt          timeout,
    Error_Block   *eb);
```

The application calls `Stream_write()` with a full buffer and a size. The size of the buffer should be greater than or equal to the size given. Upon returning from `Stream_write()`, the application has a processed buffer. `Stream_write()` blocks until a buffer is processed or a timeout occurs.

Note: When a stream is associated with an `ISync_Handle` that is non-blocking, `Stream_read()` raises an error.

2.4.9 `Stream_abort()` and Error Handling

`Stream_abort()` is only required if you are using `Stream_issue()` and `Stream_reclaim()`. When several buffers have been issued to a Stream instance, the application may want to cancel processing and get back all the buffers. This could be the result of one of the following causes:

- The application has decided to cancel current IO and work on something else.
- `Stream_reclaim()` returned an error.

In such cases, the application needs to call `Stream_abort()` to force the driver to return all buffers without processing them. After a call to `Stream_abort()`, the application still needs to call `Stream_reclaim()` to get back the buffers.

`Stream_reclaim()` returns the buffers in the order that they were issued. The `size` field returned by `Stream_reclaim()` is the size processed by the driver.

2.4.10 Constraints When Using Streams

- ❑ A Stream instance can be used only by a single Task.
- ❑ `Stream_issue()` and `Stream_reclaim()` can only be called by a single thread (Task or Swi) or in the callback context.
- ❑ `Stream_issue()`, `Stream_reclaim()`, `Stream_read()`, and `Stream_write()` cannot be called from Module startup. Some drivers may require that these APIs not be called even from `main()` if they require hardware interrupts to enable their peripherals.

2.5 The IDriver Interface

The IDriver interface defines the driver interface for SYS/BIOS 6. If you are a driver writer, read the following subsections before implementing a SYS/BIOS 6 driver. The IO modules in SYS/BIOS 6 will only talk to drivers that implement this interface.

The IDriver interface defines four main functions that driver writers need to implement:

- ❑ **IDriver_open()**. See Section 2.5.4.
- ❑ **IDriver_close()**. See Section 2.5.5.
- ❑ **IDriver_submit()**. See Section 2.5.6.
- ❑ **IDriver_control()**. See Section 2.5.7.

Drivers should also implement a create() function and a delete() function, but the calling syntax for these functions is not specified in the IDriver interface because the end-user application is responsible for calling these functions. See Section 2.5.2 and Section 2.5.3.

The DriverTypes module is a supporting module that defines types used by all drivers.

2.5.1 Using the Driver Template Generator

The ti.sdo.io.driverTemplate command line tool helps driver writers by generating some starter files. You can invoke the driverTemplate tool as follows:

```
xs ti.sdo.io.driverTemplate -m <DrvMod> -o <outputPath>
```

This tool generates *DrvMod.xdc*, *DrvMod.xs* and *DrvMod.c* files within a package at *<outputPath>*. The template also generates a simple test for the new driver. Driver writers can edit these files to meet their driver requirements.

The generated package can be built using the xdc tools without any changes.

2.5.2 Driver create() Function

For a driver, the syntax of the create() call is not specified in the IDriver interface. The driver owns its create() call and declares it in its own xdc file. Applications need to call the driver-specific create() function directly. The Stream module never calls a driver's create() function directly.

Typically a driver instance equates to a peripheral (for example, uart0). A driver may support several instances (for example, 3 uarts). Typically a driver allows only a certain number of instances to be created.

A call to the driver's create() function does the following:

- 1) Mark the device inUse.
- 2) Initialize the instance object
- 3) Initialize peripheral registers
- 4) Register interrupts

Typically a driver instance object contains the a deviceId to map the instance to a particular device and channel objects. For example:

```
struct Instance_State {
    UInt    deviceId;
    ChanObj chans [NUMCHANS] ;
};
```

2.5.3 Driver delete() Function

A driver's delete() function is directly called by the application. The syntax is not specified in the IDriver interface. It should free all resources allocated and acquired by the driver's create() function.

2.5.4 IDriver_open() Function

The driver's open() function is called by Stream_create().

For statically created Stream instances, the driver's open() function is called for all static Stream instances during Stream module startup. Because of this, it is possible that the driver's open() function will be called even before the driver's module startup function. It is therefore necessary that the driver handle this case and return a channel pointer even though the peripheral may not be up and running. Eventually, when the driver's startup gets called, it should raise an error if the peripheral could not be initialized correctly.

The driver's `open()` function is called using the following parameters:

```
Ptr IDriver_open(
    IDriver_Handle      handle,
    String              name,
    UInt                mode,
    UArg                chanParams,
    DriverTypes.DoneFxn cbFxn,
    UArg                cbArg,
    Error.Block         *eb);
```

The driver's `open()` function can fail (for example, if the channel is in use). When successful, The driver's `open()` function returns an opaque channel handle, usually a pointer to the channel object.

The driver handle passed to the driver's `open()` function is read from the driver table by `Stream`. It is the handle returned by calling the driver specific create function.

The "name" parameter allows for driver-specific configuration—for example, when a channel ID is required. The name will be `NULL` for most drivers. For example, some drivers support many input and output channels per driver instance. To specify a particular channel, the application would call `Stream_create()` with a driver name like "rtdx5". The `Stream` module would then get the driver handle for the `rtdx` entry in the driver table, and call the driver's `open()` function with `name="5"`. The driver could parse this name to get the channel ID.

Note: When the name passed to `stream` has no characters meant for the driver, `Stream` will set the name to `NULL`. The driver could then check name as follows: `if (name == NULL)...`

Most drivers will simply ignore the name.

The "mode" is either `DriverTypes.INPUT` or `DriverTypes.OUTPUT`.

The "chanParams" structure is driver specific. When `chanParams` is `NULL`, the driver should use the default parameters that were statically configured.

The "cbFxn" function and "cbArg" are used to specify a callback function and argument to indicate the completion of IO after an asynchronous submit call.

The driver should raise an error if `open()` fails, and the error block should contain a driver-specific error or a generic error defined by `DriverTypes`.

The driver's `open()` function should return a driver-specific opaque channel handle.

Typically, a driver performs some or all of the following tasks in its `open()` function:

- ❑ Mark that channel is in use.
- ❑ Initialize the channel object structure.
- ❑ Initialize the peripheral using `chanParams`.
- ❑ Enable interrupts for the channel.

The structure of the channel object is defined differently by each driver. The following example shows a sample channel object structure:

```
struct ChanObj {
    Bool          inUse;          /* is channel is use? */
    UInt         mode;          /* input or output */
    List.Handle   pendList;      /* queue io packets */
    DriverTypes.DoneFxn callbackFxn; /* callback fxn */
    UArg         callbackArg;    /* callback arg */
};
```

While the structure may vary, some fields are necessary in nearly all drivers. These important fields are:

- ❑ **inUse.** Allows the driver to allow only one open call per channel.
- ❑ **mode.** Must have a value of `DriverTypes_INPUT`, `DriverTypes_OUTPUT`, or `DriverTypes_INOUT`.
- ❑ **pendList.** A mini-driver must be able to handle or hold multiple I/O requests due to multiple calls to the driver's `submit()` function by `Stream`.
- ❑ **callbackFxn.** The callback function pointer stores which function is called as a result of a completed I/O request. This is typically the callback function implemented as part of `Stream`.
- ❑ **callbackArg.** The callback argument is a pointer that is an input parameter to the callback function.

2.5.5 IDriver_close() Function

The driver's `close()` function is called by `Stream_delete()`. The driver typically needs to perform some or all of the following actions in its `close()` function:

- ❑ Check to see if the channel can be closed.
- ❑ Release the channel.
- ❑ Disable interrupts for the channel.

The driver's close() function is called using the following syntax:

```
Void IDriver_close(
    IDriver_Handle      handle,
    Ptr                 chanHandle,
    Error.Block         *eb);
```

2.5.6 IDriver_submit() Function

Call to Stream_issue(), Stream_read() and Stream_write() result in a call to the driver's submit() function, which is used to submit jobs to the driver.

The driver's submit() function is called using the following syntax:

```
UInt IDriver_submit(
    IDriver_Handle      handle,
    Ptr                 chanHandle,
    DriverTypes.Packet *packet,
    Error.Block         *eb);
```

The DriverTypes_Packet has the following fields:

```
typedef struct DriverTypes_Packet {
    List_Elem      link;
    Ptr            addr;
    SizeT          origSize;
    SizeT          size;
    UArg           arg;
    DriverTypes_PacketCmd cmd;
    Error_Id       error;
    UArg           misc;
    Int            status;
} DriverTypes_Packet;
```

- ❑ **link.** This field can be used by driver to queue up IO packets.
- ❑ **addr.** This field points to a buffer of data. The driver preserves this field.
- ❑ **origSize.** This is the size of data buffer. The driver preserves this field.
- ❑ **size.** This is actual size of data written or read. The driver updates this field.
- ❑ **arg.** This is used by the end application. The driver preserves this field.
- ❑ **cmd.** This is the Packet command. The driver preserves this field.
- ❑ **error.** This is filled in by the mini-driver and contains status of IO.

It may be possible for the driver to complete the IO without the use of an asynchronous interrupt. For example, if there is enough room in the peripheral's buffer, and/or depending on the polling mode used. In such cases the driver's submit() function should return the DriverTypes.COMPLETED status.

DriverTypes.ERROR should be returned by the driver's submit() function if there is an error.

When the driver requires an asynchronous event, like an interrupt, to complete the IO, the driver's submit() function should return the DriverTypes.PENDING status. In such cases, the asynchronous event results in a callback. The callback function and callback function argument were specified during the driver's open() call.

If the driver encounters an error after returning DriverTypes_PENDING, the driver should update the packet with the error ID and call the callback.

In the callback, Stream will check for errors in the IO packet. The error in the packet could be driver-specific. In case of success, the Error.Id in the packet should be NULL. The driver needs to update the size field to reflect the actual size of processed data.

In all cases the driver is responsible for raising errors except in the case when the driver's submit() function returns DriverTypes.PENDING. In this case the driver fills the Error.Id in the IO Packet.

The driver is expected to queue up IO packets for transfer if necessary and must not produce an error when given more than one packet.

The driver is non-blocking—that is, it cannot call APIs that block as it is expected that the higher layer will wait for IO to be completed and take action in case of a timeout.

2.5.7 IDriver_control() Function

Stream_control() calls the driver's control() function with driver-specific control commands. The driver's control() function is called using the following syntax:

```
Void IDriver_control(  
    IDriver_Handle          handle,  
    Ptr                    chanHandle,  
    DriverTypes.ControlCmd cmd,  
    UArg                   cmdArgs,  
    Error.Block            *eb);
```

For example, the application could call `Stream_control()` to change channel-specific parameters like the baud rate of a UART channel. The driver should process the command and return values in the argument when necessary.

All drivers can define their own control commands in their spec files.

If the driver does not recognize the control command, it should raise an error. It could use the generic `DriverTypes_E_NOTIMPL` error message.

A control command of `DriverTypes.CHAN_ABORT` is used to abort/discard all packets queued up for a channel. This control command must be supported by all drivers. Note that when the driver receives the abort control command, it must abort ALL packets and call the callback for every packet. If a packet is currently in progress, the driver must attempt to shut down DMA, etc. and return the packet. Aborted packets need to be updated with the error field set to `DriverTypes.E_Aborted`.

2.5.8 Driver ISRs

Many drivers have separate Tx and Rx interrupts. Typically the following activities need to be performed in the ISR(s):

- ❑ Dequeue the IO packet.
- ❑ Set up the next transfer or service request.
- ❑ Call the class driver callback for the completed packet.

2.6 The IConverter Interface

The capabilities of the Stream module play an important role in fostering device independence within SYS/BIOS in that logical devices insulate your application programs from the details of designating a particular device. For example, `/dac` is a logical device name that does not imply any particular DAC hardware. The device-naming convention adds another dimension to device-independent I/O that is unique to SYS/BIOS—the ability to use a single name to denote a stack of devices.

By stacking certain data-scaling or message-passing modules atop one another, you can create virtual I/O devices that further insulate your applications from the underlying system hardware.

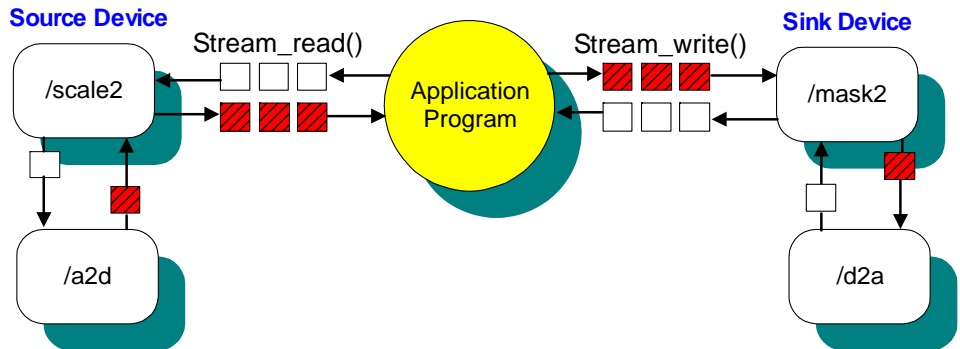
Consider, as an example, a program implementing an algorithm that inputs and outputs a stream of fixed-point data using a pair of A/D-D/A converters. However, the A/D-D/A device can take only the 14 most significant bits of data, and the other two bits have to be 0 if you want to scale up the input data. Instead of cluttering the program with excess code for data conversion and buffering to satisfy the algorithm's needs, we can open a pair of virtual devices that implicitly perform a series of transformations on the data produced and consumed by the underlying real devices as shown.

The virtual input device, `/scale2/a2d`, actually comprises a stack of two devices, each named according to the prefix of the device name specified in your configuration file.

- **/scale2** designates a device that transforms a fixed-point data stream produced by an underlying device (`/a2d`) into a stream of scaled fixed-point values.
- **/a2d** designates a device managed by the A/D-D/A device driver that produces a stream of fixed-point input from an A/D converter.

The virtual output device, `/mask2/d2a`, likewise denotes a stack of two devices.

The following figure shows the flow of empty and full frames through these virtual source and sink devices as the application program calls Stream functions.



Stacking drivers do not implement the IDriver interface. Instead, they implement a different interface called IConverter. Converters are not added to the driver table. Instead, the Stream module maintains a table of converters. Stream searches both the converter table and the driver table for matches. However, note that names must be unique within all the items in both tables. The Stream module searches the converter table first.

Here is an example script showing use of an IConverter module called Transformer. This converter is provided with IPC in the ti.sdo.io.converters package.

Configuration code: The following configuration file excerpt statically creates a rtdxInst driver instance and a Transformer instance called transInst:

```
var Rtdx = xdc.useModule('ti.rtdx.driver.RtdxDrv');
var Transformer = xdc.useModule('ti.sdo.io.converters.Transformer');
var DriverTable = xdc.useModule('ti.sdo.io.DriverTable');
var Stream = xdc.useModule('ti.sdo.io.Stream');

Var rtdxInst = RtdxDrv.create();
DriverTable.addMeta("/in", rtdxInst);

var transParamsIn = new Transformer.Params();
transParamsIn.fxn = Transformer.multiply;
Var transInst = Transformer.create(transParamsIn);
Stream.addMeta("/scale", transInst);
```

Run-time code: This C code fragment creates the stacking driver instance:

```
handleIn = Stream_create("/scale/in", Stream_INPUT, NULL, NULL);
```

2.7 The IomAdapter Module

The IomAdapter module allows legacy IOM drivers to work with SYS/BIOS 6. This module translates the IDriver interface to the old IOM interface.

The IomAdapter module implements the IDriver interface. Each instance of this module represents a legacy IOM driver module.

The following example uses the IomAdapter module with a legacy IOM driver:

Configuration code: The following configuration file excerpt statically creates an IomAdapter instance and adds it to the DriverTable:

```
var iomPrms = new IomAdapter.Params();
iomPrms.iomFxnns = $externPtr("UART_FXNS");
iomPrms.initFxn = "&UART_init";
iomPrms.deviceParams = $externPtr("UART_DEVPARAMS");
iomPrms.deviceId = 0;
iomInst = IomAdapter.create(iomPrms);

DriverTable.addMeta("/iomUart", iomInst);
```

Run-time code: This C code fragment creates two Stream instances that use the legacy driver:

```
handleIn = Stream_create("/iomUart", Stream_INPUT, NULL, NULL);
handleOut = Stream_create("/iomUart", Stream_OUTPUT, NULL, NULL);
```

2.7.1 Mapping IOM Functions to IDriver Functions

This table lists the legacy IOM functions and their corresponding IDriver functions:

IOM	IDriver
mdBindDev	Driver specific create()
mdUnbindDev	Driver delete()
mdControlChan	IDriver_control()
mdCreateChan	IDriver_open()
mdDeleteChan	IDriver_close()
mdSubmitChan	IDriver_submit()

2.8 Porting the Stream Module to Another Operating System

The Stream module is a RTSC module that uses the `xdc.runtime` package. It is independent of SYS/BIOS. This makes it possible to port Stream to other operating systems. Here are the steps required to use the Stream module with other operating systems. These steps assume a TI target and TI build tools.

- 1) Implement a module called `GateInterrupt` that inherits the `IGate` interface. This Gate should disable interrupts when locked and restore interrupts when unlocked. Plug the System gate with this module as follows:

```
System.common$.gate = GateInterrupt.create();
```

- 2) Implement a module that inherits `ITimestampProvider`. SYS/BIOS implements a target-specific `TimestampProvider` that can be identical for another OS.

```
Timestamp = xdc.module('xdc.runtime.Timestamp');  
var TimestampDelegate xdc.module ("TimestampProviderMod");  
Timestamp.SupportProxy = TimestampDelegate;
```

- 3) Implement one or several modules that implement the `ISync` interface. Provide a good default for Stream that is equivalent to `SyncSem`.

```
var Stream = xdc.module('ti.sdo.io.Stream');  
Stream.SyncProxy = xdc.useModule('SyncMod');
```

- 4) Implement the OS-specific backend of the `xdc.runtime.knl` package. For example, implement `ISemThreadSupport` for the `SemThread` module in `xdc.runtime.knl`.

The Inter-Processor Communication Package

This chapter introduces the modules in the ti.sdo.ipc package.

Topic	Page
3.1 Modules in the IPC Package	3-2
3.2 Ipc Module	3-7
3.3 MessageQ Module	3-11
3.4 ListMP Module	3-26
3.5 Heap*MP Modules	3-30
3.6 GateMP Module	3-36
3.7 Notify Module	3-41
3.8 SharedRegion Module	3-43

3.1 Modules in the IPC Package

The ti.sdo.ipc package contains the following modules that you may use in your applications:

Table 3-1. IPC package modules

Module	Module Path	
GateMP	GateMP	Manages gates for mutual exclusion of shared resources by multiple processors and threads. See Section 3.6.
HeapBufMP	ti.sdo.ipc.heaps. HeapBufMP	Fixed-sized shared memory Heaps. Similar to SYS/BIOS's ti.sysbios.heaps.HeapBuf module, but with some configuration differences. See Section 3.5.
HeapMemMP	ti.sdo.ipc.heaps. HeapMemMP	Variable-sized shared memory Heaps. See Section 3.5.
HeapMultiBufMP	ti.sdo.ipc.heaps. HeapMultiBufMP	Multiple fixed-sized shared memory Heaps. See Section 3.5.
Ipc	ti.sdo.ipc.Ipc	Provides Ipc_start() function and allows startup sequence configuration. See Section 3.2.
ListMP	ti.sdo.ipc.ListMP	Doubly-linked list for shared-memory, multi-processor applications. Very similar to the ti.sdo.utils.List module. See Section 3.4.
MessageQ	ti.sdo.ipc.MessageQ	Variable size messaging module. See Section 3.3.
TransportShm	ti.sdo.ipc.transports. TransportShm	Transport used by MessageQ for remote communication with other processors via shared memory. See Section 3.3.11.
Notify	ti.sdo.ipc.Notify	Low-level interrupt mux/demuxer module. See Section 3.7.
NotifyDriverShm	ti.sdo.ipc.notifyDrivers. NotifyDriverShm	Shared memory notification driver used by the Notify module to communicate between a pair of processors. See Section 3.7.
SharedRegion	ti.sdo.ipc.SharedRegion	Maintains shared memory for multiple shared regions. See Section 3.8.

Additional modules in the subfolders of the ti.sdo.ipc package contain specific implementations of gates, heaps, notify drivers, transports, and various device family-specific modules.

In addition, the ti.sdo.ipc package defines the following interfaces that you may implement as your own custom modules:

Table 3-2. IPC package modules

Module	Module Path
IGateMPSupport	ti.sdo.ipc.interfaces.IGateMPSupport
IIInterrupt	ti.sdo.ipc.notifyDrivers.IIInterrupt
IMessageQTransport	ti.sdo.ipc.interfaces.IMessageQTransport
INotifyDriver	ti.sdo.ipc.interfaces.INotifyDriver
INotifySetup	ti.sdo.ipc.interfaces.INotifySetup

The <ipc_install_dir>/packages/ti/sdo/ipc directory contains the following packages that you may need to know about:

- ❑ **examples.** Contains examples.
- ❑ **family.** Contains device-specific support modules (used internally).
- ❑ **gates.** Contains GateMP implementations (used internally).
- ❑ **heaps.** Contains multiprocessor heaps.
- ❑ **interfaces.** Contains interfaces.
- ❑ **notifyDrivers.** Contains NotifyDriver implementations (used internally).
- ❑ **transports.** Contains MessageQ transport implementations that are used internally.

3.1.1 Including Header Files

Applications that use modules in the `ti.sdo.ipc` or `ti.sdo.utils` package should include the common header files provided in `<ipc_install_dir>/packages/ti/ipc/`. These header files are designed to offer a common API for both SYS/BIOS and Linux users of IPC.

The following example C code includes header files applications may need to use. Depending on the APIs used in your application code, you may need to include different XDC, IPC, and SYS/BIOS header files.

```
#include <xdc/std.h>
#include <string.h>

/* ---- XDC.RUNTIME module Headers */
#include <xdc/runtime/Memory.h>
#include <xdc/runtime/System.h>
#include <xdc/runtime/IHeap.h>

/* ----- IPC module Headers */
#include <ti/ipc/GateMP.h>
#include <ti/ipc/IpC.h>
#include <ti/ipc/MessageQ.h>
#include <ti/ipc/HeapBufMP.h>
#include <ti/ipc/MultiProc.h>

/* ---- BIOS6 module Headers */
#include <ti/sysbios/BIOS.h>
#include <ti/sysbios/knl/Task.h>

/* ---- Get globals from .cfg Header */
#include <xdc/cfg/global.h>
```

Note that the appropriate include file location has changed from previous versions of IPC. The RTSC-generated header files are still available in `<ipc_install_dir>/packages/ti/sdo/ipc/`, but these should not directly be included in runtime `.c` code.

You should search your applications for "ti/sdo/ipc" and "ti/sdo/utils" and change the header file references found as needed. Additional changes to API calls will be needed.

Documentation for all common-header APIs is provided in Doxygen format at `<ipc_install_dir>/docs/doxygen/html/index.html`.

3.1.2 Standard IPC Function Call Sequence

For instance-based modules in IPC, the standard IPC methodology when creating object dynamically (that is, in C code) is to have the creator thread first initialize a *MODULE_Params* structure to its default values via a *MODULE_Params_init()* function. The creator thread can then set individual parameter fields in this structure as needed. After setting up the *MODULE_Params* structure, the creator thread calls the *MODULE_create()* function to create the instance and initializes any shared memory used by the instance. If the instance is to be opened remotely, a unique name must be supplied in the parameters.

Other threads can access this instance via the *MODULE_open()* function, which returns a handle with access to the instance. The name that was used for instance creation must be used in the *MODULE_open()* function.

In most cases, *MODULE_open()* functions must be called in the context of a Task. This is because the thread running the *MODULE_open()* function needs to be able to block (to pend on a Semaphore in this case) while waiting for the remote processor to respond. The response from the remote processor triggers a hardware interrupt, which then posts a Semaphore to allow the Task to resume execution. The exception to this rule is that *MODULE_open()* functions do not need to be able to block when opening an instance on the local processor.

When the threads have finished using an instance, all threads that called *MODULE_open()* must call *MODULE_close()*. Then, the thread that called *MODULE_create()* can call *MODULE_delete()* to free the memory used by the instance.

Note that *all* threads that opened an instance must close that instance before the thread that created it can delete it. Also, a thread that calls *MODULE_create()* cannot call *MODULE_close()*. Likewise, a thread that calls *MODULE_open()* cannot call *MODULE_delete()*.

3.1.3 Error Handling in IPC

Many of the APIs provided by IPC return an integer as a status code. Your application can test the status value returned against any of the provided status constants. For example:

```
MessageQ_Msg      msg;
MessageQ_Handle   messageQ;
Int               status;

...
status = MessageQ_get(messageQ, &msg, MessageQ_FOREVER);
    if (status < 0) {
        System_abort("Should not happen\n");
    }
```

Status constants have the following format: `MODULE_[S|E]_CONDITION`. For example, `lpc_S_SUCCESS`, `MessageQ_E_FAIL`, and `SharedRegion_E_MEMORY` are status codes that may be returned by functions in the corresponding modules.

Success codes always have values greater or equal to zero. For example, `lpc_S_SUCCESS=0` and `lpc_S_ALREADYSETUP=1`; both are success codes. Failure codes always have values less than zero. Therefore, the presence of an error can be detected by simply checking whether the return value is negative.

Other APIs provided by IPC return a handle to a created object. If the handle is `NULL`, an error occurred when creating the object. For example:

```
messageQ = MessageQ_create(DSP_MESSAGEQNAME, NULL);
if (messageQ == NULL) {
    System_abort("MessageQ_create failed\n");
}
```

Refer to the Doxygen documentation for status codes returned by IPC functions.

3.2 Ipc Module

Note: The Ipc module is not used on Concerto F28M35x devices. Instead, the IpcMgr module (in the ti.sdo.ipc.family.f28m35x package) is used to configure the devices as described in Section B.2. Concerto applications should *not* call any Ipc or IpcMgr APIs at runtime.

The main purpose of the Ipc module is to initialize the various subsystems of IPC. All applications that use IPC modules must call the Ipc_start() API, which does the following:

- ❑ Initializes a number of objects and modules used by IPC
- ❑ Synchronizes multiple processors so they can boot in any order

An application that uses IPC APIs—such as MessageQ, GateMP, and ListMP—must include the Ipc module header file and call Ipc_start() in the main() function. If the main() function calls any IPC APIs, the call to Ipc_start() must be placed before any calls to IPC modules. For example:

```
#include <ti/ipc/Ipc.h>

...

Int main(Int argc, Char* argv[])
{
    Int status;

    /* Call Ipc_start() */
    status = Ipc_start();
    if (status < 0) {
        System_abort("Ipc_start failed\n");
    }

    BIOS_start();
    return (0);
}
```

By default, Ipc_start() internally calls Notify_start() if it has not already been called. Ipc_start() then loops through the defined SharedRegions so that it can set up the HeapMemMP and GateMP instances used internally by the IPC modules. It also sets up MessageQ transports to remote processors.

The SharedRegion with an index of 0 (zero) is used by IPC_start() to create resource management tables for internal use by other IPC modules. Thus SharedRegion "0" must be accessible by all processors. See Section 3.8 for more about the SharedRegion module.

3.2.1 Ipc Module Configuration

In a RTSC configuration file, you configure the Ipc module for use as follows:

```
Ipc = xdc.useModule('ti.sdo.ipc.Ipc');
```

You can configure what the `Ipc_start()` API will do—which modules it will start and which objects it will create—by using the `Ipc.setEntryMeta` method in the configuration file to set the following properties:

- ❑ **setupNotify.** If set to false, the Notify module is not set up. The default is true.
- ❑ **setupMessageQ.** If set to false, the MessageQ transport instances to remote processors are not set up and the MessageQ module does not attach to remote processors. The default is true.

For example, the following statements from the notify example configuration turn off the setup of the MessageQ transports and connections to remote processors:

```
/* To avoid wasting shared memory for MessageQ transports */  
for (var i = 0; i < MultiProc.numProcessors; i++) {  
    Ipc.setEntryMeta({  
        remoteProcId: i,  
        setupMessageQ: false,  
    });  
}
```

You can configure how the IPC module synchronizes processors by configuring the `Ipc.procSync` property. For example:

```
Ipc.procSync = Ipc.ProcSync_ALL;
```

The options are:

- ❑ **Ipc.ProcSync_ALL.** If you use this option, the `Ipc_start()` API automatically attaches to and synchronizes all remote processors. If you use this option, your application should never call `Ipc_attach()`. Use this option if all IPC processors on a device start up at the same time and connections should be established between every possible pair of processors.
- ❑ **Ipc.ProcSync_PAIR.** (Default) If you use this option, you must explicitly call `Ipc_attach()` to attach to a specific remote processor. If you use this option, `Ipc_start()` performs system-wide IPC initialization, but does not make connections to remote processors. Use this option if any or all of the following are true:

- You need to control when synchronization with each remote processor occurs.
 - Useful work can be done while trying to synchronize with a remote processor by yielding a thread after each attempt to `lpc_attach()` to the processor.
 - Connections to some remote processors are unnecessary and should be made selectively to save memory.
- **Ipc.ProcSync_NONE.** If you use this option, `lpc_start()` doesn't synchronize any processors before setting up the objects needed by other modules. Use this option with caution. It is intended for use in cases where the application performs its own synchronization and you want to avoid a potential deadlock situation with the IPC synchronization.

If you use the `ProcSync_NONE` option, `lpc_start()` works exactly as it does with `ProcSync_PAIR`.

However, in this case, `lpc_attach()` does not synchronize with the remote processor. As with other `ProcSync` options, `lpc_attach()` still sets up access to `GateMP`, `SharedRegion`, `Notify`, `NameServer`, and `MessageQ` transports, so your application must still call `lpc_attach()` for each remote processor that will be accessed. Note that an `lpc_attach()` call for a remote processor whose ID is less than the local processor's ID must occur *after* the corresponding remote processor has called `lpc_attach()` to the local processor. For example, processor #2 can call `lpc_attach(1)` only after processor #1 has called `lpc_attach(2)`.

You can configure a function to perform custom actions in addition to the default actions performed when attaching to or detaching from a remote processor. These functions run near the end of `lpc_attach()` and near the beginning of `lpc_detach()`, respectively (see Section 3.2.2). Such functions must be non-blocking and must run to completion. The following example configures two attach functions and two detach functions. Each set of functions will be passed a different argument:

```
var Ipc = xdc.useModule('ti.sdo.ipc.Ipc');

var fxn = new Ipc.UserFxn;
fxn.attach = '&userAttachFxn1';
fxn.detach = '&userDetachFxn1';
Ipc.addUserFxn(fxn, 0x1);

fxn.attach = '&userAttachFxn2';
fxn.detach = '&userDetachFxn2';
Ipc.addUserFxn(fxn, 0x2);
```

3.2.2 Ipc Module APIs

In addition to the `Ipc_start()` API, which all applications that use IPC modules are required to call, the Ipc module also provides the following APIs for processor synchronization:

- ❑ **`Ipc_attach()`** Creates a connection to the specified remote processor.
- ❑ **`Ipc_detach()`** Deletes the connection to the specified remote processor.

You must call `Ipc_start()` on a processor before calling `Ipc_attach()`.

Note: Call `Ipc_attach()` to the processor that owns shared memory region 0 (usually the processor with `id = 0`) before making a connection to any other remote processor. For example, if there are three processors configured with MultiProc, #1 should attach to #0 before it can attach to #2.

Use these functions *unless* you are using the `Ipc.ProcSync_ALL` configuration setting. With that option, `Ipc_start()` automatically attaches to and synchronizes all remote processors, and your application should never call `Ipc_attach()`.

The `Ipc.ProcSync_PAIR` configuration option expects that your application will call `Ipc_attach()` for each remote processor with which it should be able to communicate.

Processor synchronization means that one processor waits until the other processor signals that a particular module is ready for use. Within `Ipc_attach()`, this is done for the GateMP, SharedRegion (region 0), and Notify modules and the MessageQ transports.

You can call the `Ipc_detach()` API to delete internal instances created by `Ipc_attach()` and to free the memory used by these instances.

3.3 MessageQ Module

The MessageQ module supports the structured sending and receiving of variable length messages. It is OS independent and works with any threading model. For each MessageQ you create, there is a single reader and may be multiple writers.

Note: MessageQ use is the same with Concerto F28M35x devices as for other devices. See Section 6.3.2 for information about the TransportCirc driver used with the MessageQ module when you are using Concerto devices.

MessageQ is the recommended messaging API for most applications. It can be used for both homogeneous and heterogeneous multi-processor messaging, along with single-processor messaging between threads.

With the additional setup now performed automatically by `lpc_start()`—the creation of transports, initialization of shared memory, and more—configuration of objects used by MessageQ is much easier than in previous versions of IPC.

(The MessageQ module in IPC is similar in functionality to the MSGQ module in DSP/BIOS 5.x.)

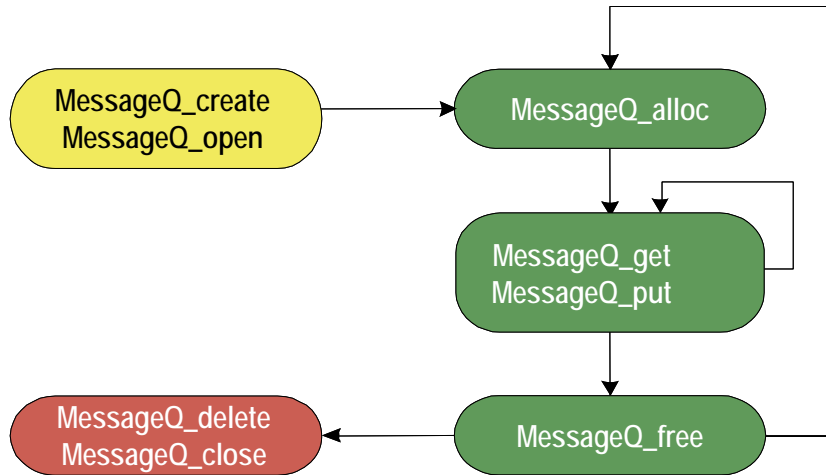
The following are key features of the MessageQ module:

- ❑ Writers and readers can be relocated to another processor with no runtime code changes.
- ❑ Timeouts are allowed when receiving messages.
- ❑ Readers can determine the writer and reply back.
- ❑ Receiving a message is deterministic when the timeout is zero.
- ❑ Messages can reside on any message queue.
- ❑ Supports zero-copy transfers.
- ❑ Messages can be sent and received from any type of thread.
- ❑ The notification mechanism is specified by the application.
- ❑ Allows QoS (quality of service) on message buffer pools. For example, using specific buffer pools for specific message queues.

Messages are sent and received via a message queue. A reader is a thread that gets (reads) messages from a message queue. A writer is a thread that puts (writes) a message to a message queue. Each message queue has one reader and can have many writers. A thread may read from or write to multiple message queues.

- ❑ **Reader.** The single reader thread calls `MessageQ_create()`, `MessageQ_get()`, `MessageQ_free()`, and `MessageQ_delete()`.
- ❑ **Writer.** Writer threads call `MessageQ_open()`, `MessageQ_alloc()`, `MessageQ_put()`, and `MessageQ_close()`.

The following figure shows the flow in which applications typically use the main runtime MessageQ APIs:



Conceptually, the reader thread owns a message queue. The reader thread creates a message queue. Writer threads then open a created message queue to get access to them.

3.3.1 Configuring the MessageQ Module

You can configure a number of module-wide properties for MessageQ in your RTSC configuration file. If you are configuring the MessageQ module, you must enable the module as follows:

```
var MessageQ = xdc.useModule('ti.sdo.ipc.MessageQ');
```

Module-wide configuration properties you can set are as follows. The default values are shown in the following statements. See the IPC online documentation for details.

```
// Maximum length of MessageQ names
MessageQ.maxNameLen = 32;

// Max number of MessageQs that can be dynamically created
MessageQ.maxRuntimeEntries = 10;

// Number of heapIds in the system
MessageQ.numHeaps = 0;

// Section name used to place the names table
MessageQ.tableSection = null;
```

3.3.2 Creating a MessageQ Object

You can create message queues dynamically. Static creation is not supported. A MessageQ object is not a shared resource. That is, it resides on the processor that creates it.

The reader thread creates a message queue. To create a MessageQ object dynamically, use the MessageQ_create() C API, which has the following syntax:

```
MessageQ_Handle MessageQ_create(String          name,
                                MessageQ_Params *params);
```

When you create a queue, you specify a name string. This name will be needed by the MessageQ_open() function, which is called by threads on the same or remote processors that want to send messages to the created message queue. While the name is not required (that is, it can be NULL), an unnamed queue cannot be opened.

An ISync handle is associated with the message queue via the synchronizer parameter (see Section 3.3.9 for details).

If the call is successful, the MessageQ_Handle is returned. If the call fails, NULL is returned.

You initialize the params struct by using the MessageQ_Params_init() function, which initializes the params structure with the default values. A NULL value for params can be passed into the create call, which results in the defaults being used. However, the default synchronizer is NULL.

The following code creates a MessageQ object using SyncSem as the synchronizer.

```
MessageQ_Handle    messageQ;
MessageQ_Params    messageQParams;
SyncSem_Handle     syncSemHandle;

...

syncSemHandle = SyncSem_create(NULL, NULL);
MessageQ_Params_init(&messageQParams);
messageQParams.synchronizer =
    SyncSem_Handle_upCast(syncSemHandle);
messageQ = MessageQ_create(CORE0_MESSAGEQNAME,
    &messageQParams);
```

In this example, the `CORE0_MESSAGEQNAME` constant is defined in the `message_common.cfg.xs` configuration file.

3.3.3 Opening a Message Queue

Writer threads open a created message queue to get access to them. In order to obtain a handle to a message queue that has been created, a writer thread must call `MessageQ_open()`, which has the following syntax.

```
Int MessageQ_open(String name,
    MessageQ_QueueId *queueId);
```

This function expects a name, which must match with the name of the created object. Internally `MessageQ` calls `NameServer_get()` to find the 32-bit `queueId` associated with the created message queue. `NameServer` looks both locally and remotely.

If no matching name is found on any processor, `MessageQ_open()` returns `MessageQ_E_NOTFOUND`. If the open is successful, the `Queue ID` is filled in and `MessageQ_S_SUCCESS` is returned.

The following code opens the MessageQ object created by the processor.

```

MessageQ_QueueId  remoteQueueId;
Int               status;

...

/* Open the remote message queue. Spin until it is ready. */
do {
    status = MessageQ_open(CORE0_MESSAGEQNAME,
                            &remoteQueueId);
}
while (status < 0);

```

3.3.4 Allocating a Message

MessageQ manages message allocation via the MessageQ_alloc() and MessageQ_free() functions. MessageQ uses Heaps for message allocation. MessageQ_alloc() has the following syntax:

```

MessageQ_Msg MessageQ_alloc(UInt16      heapId,
                             UInt32      size);

```

The allocation size in MessageQ_alloc() must include the size of the message header, which is 32 bytes.

The following code allocates a message:

```

#define MSGSIZE                256
#define HEAPID                 0
...
MessageQ_Msg    msg;

...

msg = MessageQ_alloc(HEAPID, sizeof(MessageQ_MsgHeader));
if (msg == NULL) {
    System_abort("MessageQ_alloc failed\n");
}

```

Once a message is allocated, it can be sent on any message queue. Once the reader receives the message, it may either free the message or re-use the message.

Messages in a message queue can be of variable length. The only requirement is that the first field in the definition of a message must be a `MsgHeader` structure. For example:

```
typedef struct MyMsg {
    MessageQ_MsgHeader header;    // Required
    SomeEnumType         type     // Can be any field
    ...                    // ...
} MyMsg;
```

The MessageQ APIs use the `MessageQ_MsgHeader` internally. Your application should not modify or directly access the fields in the `MessageQ_MsgHeader` structure.

3.3.4.1 MessageQ Allocation and Heaps

All messages sent via the MessageQ module must be allocated from a `xdc.runtime.IHeap` implementation, such as `ti.sdo.ipc.heaps.HeapBufMP`. The same heap can also be used for other memory allocation not related to MessageQ.

The `MessageQ_registerHeap()` API assigns a MessageQ `heapId` to a heap. When allocating a message, the `heapId` is used, not the heap handle. The `heapIds` should start at zero and increase. The maximum number of heaps is determined by the `numHeap` module configuration property. See the online documentation for `MessageQ_registerHeap()` for details.

```
/* Register this heap with MessageQ */
status = MessageQ_registerHeap(
    HeapBufMP_Handle_upCast(heapHandle), HEAPID);
```

If the registration fails (for example, the `heapId` is already used), this function returns `FALSE`.

An application can use multiple heaps to allow an application to regulate its message usage. For example, an application can allocate critical messages from a heap of fast on-chip memory and non-critical messages from a heap of slower external memory. Additionally, heaps MessageQ uses can be shared with other modules and/or the application.

MessageQ alternatively supports allocating messages without the `MessageQ_alloc()` function. See Section 3.3.4.2, *MessageQ Allocation Without a Heap* for more information.

Heaps can be unregistered via `MessageQ_unregisterHeap()`.

3.3.4.2 MessageQ Allocation Without a Heap

It is possible to send MessageQ messages that are allocated statically instead of being allocated at run-time via `MessageQ_alloc()`. However the first field of the message must still be a `MsgHeader`. To make sure the `MsgHeader` has valid settings, the application must call `MessageQ_staticMsgInit()`. This function initializes the header fields in the same way that `MessageQ_alloc()` does, except that it sets the heapId field in the header to the `MessageQ_STATICMSG` constant.

If an application uses messages that were not allocated using `MessageQ_alloc()`, it cannot free the messages via the `MessageQ_free()` function, even if the message is received by a different processor. Also, the transport may internally call `MessageQ_free()` and encounter an error.

If `MessageQ_free()` is called on a statically allocated message, it asserts that the heapId of the message is not `MessageQ_STATICMSG`.

3.3.5 Sending a Message

Once a message queue is opened and a message is allocated, the message can be sent to the MessageQ via the `MessageQ_put()` function, which has the following syntax.

```
Int MessageQ_put(MessageQ_QueueId queueId,  
                MessageQ_Msg      msg);
```

For example:

```
status = MessageQ_put(remoteQueueId, msg);
```

Opening a queue is not required. Instead the message queue ID can be "discovered" via the `MessageQ_getReplyQueue()` function (see Section 3.3.10 for more information), which returns the 32-bit `queueId`.

```

MessageQ_QueueId replyQueue;
MessageQ_Msg      msg;

/* Use the embedded reply destination */
replyMessageQ = MessageQ_getReplyQueue(msg);
if (replyMessageQ == MessageQ_INVALIDMESSAGEQ) {
    System_abort("Invalid reply queue\n");
}

/* Send the response back */
status = MessageQ_put(replyQueue, msg);
if (status < 0) {
    System_abort("MessageQ_put was not successful\n");
}

```

If the destination queue is local, the message is placed on the appropriate priority linked list and the `ISync` signal function is called. If the destination queue is on a remote processor, the message is given to the proper transport and returns. See Section 3.3.11 for more information.

If `MessageQ_put()` succeeds, it returns `MessageQ_S_SUCCESS`. If `MessageQ_E_FAIL` is returned, an error occurred and the caller still owns the message.

There can be multiple senders to a single message queue. `MessageQ` handles the thread safety.

Before you send a message, you can use the `MessageQ_setMsgId()` function to assign a numeric value to the message that can be checked by the receiving thread.

```

/* Increment...the remote side will check this */
msgId++;
MessageQ_setMsgId(msg, msgId);

```

You can use the `MessageQ_setMsgPri()` function to set the priority of the message. See Section 3.3.8 for more about message priorities.

3.3.6 Receiving a Message

To receive a message, a reader thread calls the `MessageQ_get()` API.

```
Int MessageQ_get(MessageQ_Handle handle,
                 MessageQ_Msg   *msg,
                 UInt           timeout)
```

If a message is present, it returned by this function. In this case the `ISync's wait()` function is not called.

For example:

```
/* Get a message */
status = MessageQ_get(messageQ, &msg, MessageQ_FOREVER);
if (status < 0) {
    System_abort("Should not happen; timeout is forever\n");
}
```

If no message is present and no error occurs, this function blocks while waiting for the timeout period for the message to arrive. If the timeout period expires, `MessageQ_E_FAIL` is returned. If an error occurs, the `msg` argument will be unchanged.

After receiving a message, you can use the following APIs to get information about the message from the message header:

- ❑ `MessageQ_getMsgId()` gets the ID value set by `MessageQ_setMsgId()`. For example:

```
/* Get the id and increment it to send back */
msgId = MessageQ_getMsgId(msg);
msgId += NUMCLIENTS;
MessageQ_setMsgId(msg, msgId);
```

- ❑ `MessageQ_getMsgPri()` gets the priority set by `MessageQ_setMsgPri()`. See Section 3.3.8.
- ❑ `MessageQ_getMsgSize()` gets the size of the message in bytes.
- ❑ `MessageQ_getReplyQueue()` gets the ID of the queue provided by `MessageQ_setReplyQueue()`. See Section 3.3.10.

3.3.7 Deleting a MessageQ Object

MessageQ_delete() frees a MessageQ object stored in local memory. If any messages are still on the internal linked lists, they will be freed. The contents of the handle are nulled out by the function to prevent use after deleting.

```
Void MessageQ_delete(MessageQ_Handle *handle);
```

The queue array entry is set to NULL to allow re-use.

Once a message queue is deleted, no messages should be sent to it. A MessageQ_close() is recommended, but not required.

3.3.8 Message Priorities

MessageQ supports three message priorities as follows:

- ❑ MessageQ_NORMALPRI = 0
- ❑ MessageQ_HIGHPRI = 1
- ❑ MessageQ_URGENTPRI = 3

You can set the priority level for a message before sending it by using the MessageQ_setMsgPri function:

```
Void MessageQ_setMsgPri(MessageQ_Msg      msg,  
                        MessageQ_Priority priority)
```

Internally a MessageQ object maintains two linked lists: normal and high-priority. A normal priority message is placed onto the "normal" linked list in FIFO manner. A high priority message is placed onto the "high-priority" linked list in FIFO manner. An urgent message is placed at the beginning of the high linked list.

Note: Since multiple urgent messages may be sent before a message is read, the order of urgent messages is not guaranteed.

When getting a message, the reader checks the high priority linked list first. If a message is present on that list, it is returned. If not, the normal priority linked list is checked. If a message is present there, it is returned. Otherwise the synchronizer's wait function is called.

See Section 3.3.11, *Remote Communication via Transports* for information about the handling of priority by transports.

3.3.9 Thread Synchronization

MessageQ supports reads and writes of different thread models. It can work with threading models that include SYS/BIOS's Hwi, Swi, and Task threads.

This flexibility is accomplished by using an implementation of the `xdc.runtime.knl.ISync` interface. The creator of the message queue must also create an object of the desired ISync implementation and assign that object as the "synchronizer" of the MessageQ. Each message queue has its own synchronizer object.

An ISync object has two main functions: `signal()` and `wait()`. Whenever `MessageQ_put()` is called, the `signal()` function of the ISync implementation is called. If `MessageQ_get()` is called when there are no messages on the queue, the `wait()` function of the ISync implementation is called. The timeout passed into the `MessageQ_get()` is directly passed to the ISync `wait()` API.

Important: Since ISync implementations must be binary, the reader thread must drain the MessageQ of all messages before waiting for another signal.

For example, if the reader is a SYS/BIOS Swi, the instance could be a `SyncSwi`. When a `MessageQ_put()` is called, the `Swi_post()` API would be called. The Swi would run and it must call `MessageQ_get()` until no messages are returned. If the Swi does not get all the messages, the Swi will not run again, or at least will not run until a new message is placed on the queue.

The calls to ISync functions occurs directly in `MessageQ_put()` when the call occurs on the same processor where the queue was created. In the remote case, the transport calls `MessageQ_put()`, which is then a local put, and the signal function is called. (See Section 3.3.11.)

The following are ISync implementations provided by XDCtools and SYS/BIOS:

- ❑ **`xdc.runtime.knl.SyncNull`**. The `signal()` and `wait()` functions do nothing. Basically this implementation allows for polling.
- ❑ **`xdc.runtime.knl.SyncSemThread`**. An implementation built using the `xdc.runtime.knl.Semaphore` module, which is a binary semaphore.
- ❑ **`xdc.runtime.knl.SyncGeneric.xdc`**. This implementation allows you to use custom `signal()` and `wait()` functions as needed.

- ❑ **ti.sysbios.syncs.SyncSem.** An implementation built using the `ti.sysbios.ipc.Semaphore` module. The `signal()` function runs a `Semaphore_post()`. The `wait()` function runs a `Semaphore_pend()`.
- ❑ **ti.sysbios.syncs.SyncSwi.** An implementation built using the `ti.sysbios.knl.Swi` module. The `signal()` function runs a `Swi_post()`. The `wait()` function does nothing and returns `FALSE` if the timeout elapses.
- ❑ **ti.sysbios.syncs.SyncEvent.** An implementation built using the `ti.sysbios.ipc.Event` module. The `signal()` function runs an `Event_post()`. The `wait()` function does nothing and returns `FALSE` if the timeout elapses. This implementation allows waiting on multiple events.

The following code from the "message" example creates a `SyncSem` instance and assigns it to the synchronizer field in the `MessageQ_Params` structure before creating the `MessageQ` instance:

```
#include <ti/sysbios/syncs/SyncSem.h>
...

MessageQ_Params    messageQParams;
SyncSem_Handle    syncSemHandle;

/* Create a message queue using SyncSem as synchronizer */
syncSemHandle = SyncSem_create(NULL, NULL);
MessageQ_Params_init(&messageQParams);
messageQParams.synchronizer =
    SyncSem_Handle_upCast(syncSemHandle);
messageQ = MessageQ_create(CORE1_MESSAGEQNAME,
    &messageQParams, NULL);
```

3.3.10 ReplyQueue

For some applications, doing a `MessageQ_open()` on a queue is not realistic. For example, a server may not want to open all the clients' queues for sending responses. To support this use case, the message sender can embed a reply queueId in the message using the `MessageQ_setReplyQueue()` function.

```
Void MessageQ_setReplyQueue(MessageQ_Handle handle,
    MessageQ_Msg msg)
```

This API stores the message queue's queueId into fields in the `MsgHeader`.

The `MessageQ_getReplyQueue()` function does the reverse. For example:

```
MessageQ_QueueId replyQueue;
MessageQ_Msg      msg;
...

/* Use the embedded reply destination */
replyMessageQ = MessageQ_getReplyQueue(msg);
if (replyMessageQ == MessageQ_INVALIDMESSAGEQ) {
    System_abort("Invalid reply queue\n");
}
```

The `MessageQ_QueueId` value returned by this function can then be used in a `MessageQ_put()` call.

The queue that is embedded in the message does not have to be the sender's queue.

3.3.11 Remote Communication via Transports

MessageQ is designed to support multiple processors. To allow this, different transports can be plugged into MessageQ.

In a multi-processor system, MessageQ communicates with other processors via `ti.sdo.ipc.interfaces.IMessageQTransport` instances. There can be up to two `IMessageQTransport` instances for each processor to which communication is desired. One can be a normal-priority transport and the other for handling high-priority messages. This is done via the priority parameter in the transport `create()` function. If there is only one register to a remote processor (either normal or high), all messages go via that transport.

There can be different transports on a processor. For example, there may be a shared memory transport to processor A and an sRIO one to processor B.

When your application calls `Ipc_start()`, the default transport instance used by MessageQ is created automatically. Internally, transport instances are responsible for registering themselves with MessageQ via the `MessageQ_registerTransport()` function.

IPC provides an implementation of the `IMessageQTransport` interface called `ti.sdo.ipc.transports.TransportShm` (shared memory). You can write other implementations to meet your needs.

When a transport is created via a transport-specific `create()` call, a remote processor ID (defined via the `MultiProc` module) is specified. This ID denotes which processor this instance communicates with. Additionally there are configuration properties for the transport—such as the message priority handled—that can be defined in a `Params` structure. The transport takes these pieces of information and registers itself with `MessageQ`. `MessageQ` now knows which transport to call when sending a message to a remote processor.

Trying to send to a processor that has no transport results in an error.

3.3.11.1 Custom Transport Implementations

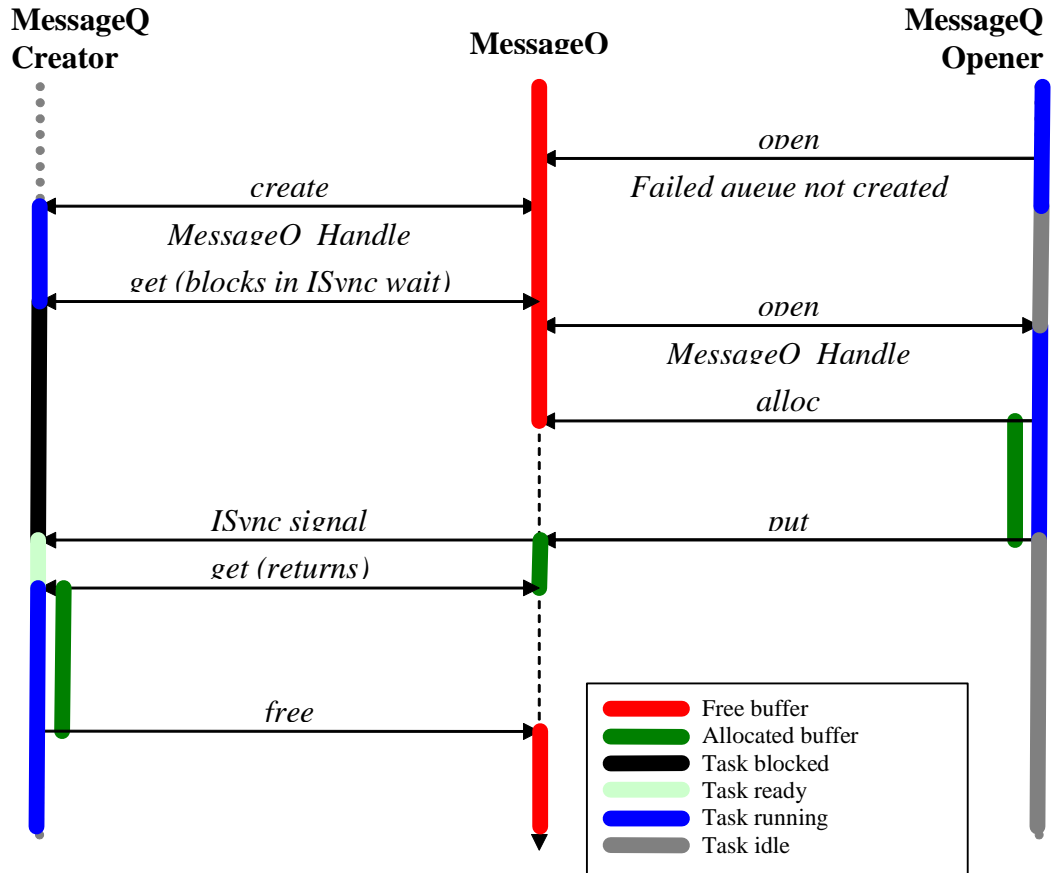
Transports can register and unregister themselves dynamically. That is, if the transport instance is deleted, it should unregister with `MessageQ`.

When receiving a message, transports need to form the `MessageQ_QueueId` that allows them to call `MessageQ_put()`. This is accomplished via the `MessageQ_getDstQueue()` API.

```
MessageQ_QueueId MessageQ_getDstQueue (MessageQ_Msg msg)
```


3.3.12 Sample Runtime Program Flow (Dynamic)

The following figure shows the typical sequence of events when using a MessageQ. A message queue is created by a Task. An open on the same processor then occurs. Assume there is one message in the system. The opener allocates the message and sends it to the created message queue, which gets and frees it.



3.4 ListMP Module

The `ti.sdo.ipc.ListMP` module is a linked-list based module designed to be used in a multi-processor environment. It is designed to provide a means of communication between different processors.

Note: The ListMP module is not supported for Concerto F28M35x devices.

ListMP uses shared memory to provide a way for multiple processors to share, pass, or store data buffers, messages, or state information. ListMP is a low-level module used by several other IPC modules, including MessageQ, HeapBufMP, and transports, as a building block for their instance and state structures.

A common challenge that occurs in a multi-processor environment is preventing concurrent data access in shared memory between different processors. ListMP uses a multi-processor gate to prevent multiple processors from simultaneously accessing the same linked-list. All ListMP operations are atomic across processors.

You create a ListMP instance dynamically as follows:

- 1) Initialize a `ListMP_Params` structure by calling `ListMP_Params_init()`.
- 2) Specify the name, `regionId`, and other parameters in the `ListMP_Params` structure.
- 3) Call `ListMP_create()`.

ListMP uses a `ti.sdo.utils.NameServer` instance to store the instance information. The ListMP name supplied must be unique for all ListMP instances in the system.

```
ListMP_Params params;
GateMP_Handle gateHandle;
ListMP_Handle handle1;

/* If gateHandle is NULL, the default remote gate will be
   automatically chosen by ListMP */
gateHandle = GateMP_getDefaultRemote();
ListMP_Params_init(&params);
params.gate = gateHandle;
params.name = "myListMP";
params.regionId = 1;
handle1 = ListMP_create(&params, NULL);
```

Once created, another processor or thread can open the ListMP instance by calling `ListMP_open()`.

```
while (ListMP_open("myListMP", &handle1, NULL) < 0) {
    ;
}
```

ListMP uses SharedRegion pointers (see Section 3.8), which are portable across processors, to translate addresses for shared memory. The processor that creates the ListMP instance must specify the shared memory in terms of its local address space. This shared memory must have been defined in the SharedRegion module by the application.

The ListMP module has the following constraints:

- ❑ ListMP elements to be added/removed from the linked-list must be stored in a shared memory region.
- ❑ The linked list must be on a worst-case cache line boundary for all the processors sharing the list.
- ❑ `ListMP_open()` should be called only when global interrupts are enabled.

A list item must have a field of type `ListMP_Elem` as its first field. For example, the following structure could be used for list elements:

```
typedef struct Tester {
    ListMP_Elem elem;
    Int          scratch[30];
    Int          flag;
} Tester;
```

Besides creating, opening, and deleting a list instance, the ListMP module provides functions for the following common list operations:

- ❑ **ListMP_empty()**. Test for an empty ListMP.
- ❑ **ListMP_getHead()**. Get the element from the front of the ListMP.
- ❑ **ListMP_getTail()**. Get the element from the end of the ListMP.
- ❑ **ListMP_insert()**. Insert element into a ListMP at the current location.
- ❑ **ListMP_next()**. Return the next element in the ListMP (non-atomic).
- ❑ **ListMP_prev()**. Return previous element in the ListMP (non-atomic).
- ❑ **ListMP_putHead()**. Put an element at the head of the ListMP.
- ❑ **ListMP_putTail()**. Put an element at the end of the ListMP.
- ❑ **ListMP_remove()**. Remove the current element from the middle of the ListMP.

This example prints a "flag" field from the list elements in a ListMP instance in order:

```
System_printf("On the List: ");
testElem = NULL;
while ((testElem = ListMP_next(handle,
    (ListMP_Elem *)testElem)) != NULL) {
    System_printf("%d ", testElem->flag);
}
```

This example prints the same items in reverse order:

```
System_printf("in reverse: ");
elem = NULL;
while ((elem = ListMP_prev(handle, elem)) != NULL) {
    System_printf("%d ", ((Tester *)elem)->flag);
}
```

This example determines if a ListMP instance is empty:

```
if (ListMP_empty(handle1) == TRUE) {
    System_printf("Yes, handle1 is empty\n");
}
```

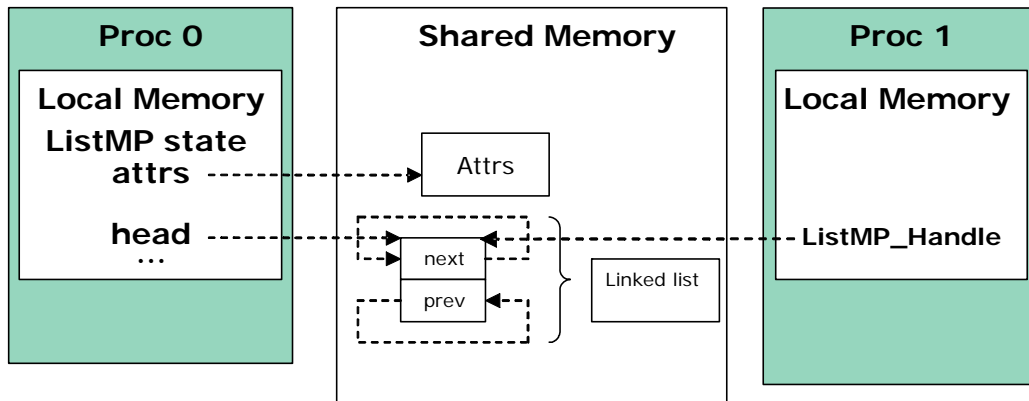
This example places a sequence of even numbers in a ListMP instance:

```
/* Add 0, 2, 4, 6, 8 */
for (i = 0; i < COUNT; i = i + 2) {
    ListMP_putTail(handle1, (ListMP_Elem *)&(buf[i]));
}
```

The instance state information contains a pointer to the head of the linked-list, which is stored in shared memory. Other attributes of the instance stored in shared memory include the version, status, and the size of the shared address.

Other processors can obtain a handle to the linked list by calling `ListMP_open()`.

The following figure shows local memory and shared memory for processors Proc 0 and Proc 1, in which Proc 0 calls ListMP_create() and Proc 1 calls ListMP_open().



The cache alignment used by the list is taken from the SharedRegion on a per-region basis. The alignment must be the same across all processors and should be the worst-case cache line boundary.

3.5 Heap*MP Modules

Note: The Heap*MP modules are not supported for Concerto F28M35x devices because Concerto does not support shared memory heaps.

The `ti.sdo.ipc.heaps` package provides three implementations of the `xdc.runtime.IHeap` interface.

- ❑ **HeapBufMP.** Fixed-size memory manager. All buffers allocated from a `HeapBufMP` instance are of the same size. There can be multiple instances of `HeapBufMP` that manage different sizes. The `ti.sdo.ipc.heaps.HeapBufMP` module is modeled after SYS/BIOS 6's `HeapBuf` module (`ti.sysbios.heaps.HeapBuf`).
- ❑ **HeapMultiBufMP.** Each instance supports up to 8 different fixed sizes of buffers. When an allocation request is made, the `HeapMultiBufMP` instance searches the different buckets to find the smallest one that satisfies the request. If that bucket is empty, the allocation fails. The `ti.sdo.ipc.heaps.HeapMultiBufMP` module is modeled after SYS/BIOS 6's `HeapMultiBuf` module (`ti.sysbios.heaps.HeapMultiBuf`).
- ❑ **HeapMemMP.** Variable-size memory manager. `HeapMemMP` manages a single buffer in shared memory from which blocks of user-specified length are allocated and freed. The `ti.sdo.ipc.heaps.HeapMemMP` module is modeled after SYS/BIOS 6's `HeapMem` module (`ti.sysbios.heaps.HeapMem`).

The main addition to these modules is the use of shared memory and the management of multi-processor exclusion.

The `SharedRegion` modules, and therefore the `MessageQ` module and other IPC modules that use `SharedRegion`, use a `HeapMemMP` instance internally.

The following subsections use "Heap*MP" to refer to the `HeapBufMP`, `HeapMultiBufMP`, and `HeapMemMP` modules.

3.5.1 Configuring a Heap*MP Module

In addition to configuring `Heap*MP` instances, you can set module-wide configuration properties. For example, the `maxNameLen` property lets you set the maximum length of heap names. The `track[Max]Allocs` module configuration property enables/disables tracking memory allocation statistics.

A Heap*MP instance uses a NameServer instance to manage name/value pairs.

The Heap*MP modules make the following assumptions:

- ❑ The SharedRegion module handles address translation between a virtual shared address space and the local processor's address space. If the memory address spaces are identical across all processors, or if a single processor is being used, no address translation is required and the SharedRegion module must be appropriately configured.
- ❑ Both processors must have the same endianness.

3.5.2 Creating a Heap*MP Instance

Heaps can be created dynamically. You use the `Heap*MP_create()` functions to dynamically create Heap*MP instances. As with other IPC modules, before creating a Heap*MP instance, you initialize a `Heap*MP_Params` structure and set fields in the structure to the desired values. When you create a heap, the shared memory is initialized and the Heap*MP object is created in local memory. Only the actual buffers and some shared information reside in shared memory.

The following code example initializes a `HeapBufMP_Params` structure and sets fields in it. It then creates and registers an instance of the `HeapBufMP` module.

```

/* Create the heap that will be used to allocate messages. */
HeapBufMP_Params_init(&heapBufMPParams);
heapBufMPParams.regionId    = 0;    /* use default region */
heapBufMPParams.name       = "myHeap";
heapBufMPParams.align      = 256;
heapBufMPParams.numBlocks  = 40;
heapBufMPParams.blockSize  = 1024;
heapBufMPParams.gate       = NULL; /* use system gate */
heapHandle = HeapBufMP_create(&heapBufMPParams);
if (heapHandle == NULL) {
    System_abort("HeapBufMP_create failed\n");
}

/* Register this heap with MessageQ */
MessageQ_registerHeap(HeapBufMP_Handle_upCast(heapHandle),
    HEAPID);

```

The parameters for the various Heap*MP implementations vary. For example, when you create a `HeapBufMP` instance, you can configure the following parameters after initializing the `HeapBufMP_Params` structure:

- ❑ **regionId.** The index corresponding to the shared region from which shared memory will be allocated.
- ❑ **name.** A name of the heap instance for NameServer (optional).
- ❑ **align.** Requested alignment for each block.
- ❑ **numBlocks.** Number of fixed size blocks.
- ❑ **blockSize.** Size of the blocks in this instance.
- ❑ **gate.** A multiprocessor gate for context protection.
- ❑ **exact.** Only allocate a block if the requested size is an exact match. Default is false.

Of these parameters, the ones that are common to all three Heap*MP implementations are gate, name and regionId.

3.5.3 Opening a Heap*MP Instance

Once a Heap*MP instance is created on a processor, the heap can be opened on another processor to obtain a local handle to the same shared instance. In order for a remote processor to obtain a handle to a Heap*MP that has been created, the remote processor needs to open it using Heap*MP_open().

The Heap*MP modules use a NameServer instance to allow a remote processor to address the local Heap*MP instance using a user-configurable string value as an identifier. The Heap*MP name is the sole parameter needed to identify an instance.

The heap must be created before it can be opened. An open call matches the call's version number with the creator's version number in order to ensure compatibility. For example:

```
HeapBufMP_Handle heapHandle;
...

/* Open heap created by other processor. Loop until open. */
do {
    status = HeapBufMP_open("myHeap", &heapHandle);
}
while (status < 0);

/* Register this heap with MessageQ */
MessageQ_registerHeap(HeapBufMP_Handle_upCast(heapHandle),
                       HEAPID);
```


3.5.4 Closing a Heap*MP Instance

Heap*MP_close() frees an opened Heap*MP instance stored in local memory. Heap*MP_close() may only be used to finalize instances that were opened with Heap*MP_open() by this thread. For example:

```
HeapBufMP_close(&heapHandle);
```

Never call Heap*MP_close() if some other thread has already called Heap*MP_delete().

3.5.5 Deleting a Heap*MP Instance

The Heap*MP creator thread can use Heap*MP_delete() to free a Heap*MP object stored in local memory and to flag the shared memory to indicate that the heap is no longer initialized. Heap*MP_delete() may not be used to finalize a heap using a handle acquired using Heap*MP_open()—Heap*MP_close() should be used by such threads instead.

3.5.6 Allocating Memory from the Heap

The HeapBufMP_alloc() function obtains the first buffer off the heap's freeList.

The HeapMultiBufMP_alloc() function searches through the buckets to find the smallest size that honors the requested size. It obtains the first block on that bucket.

If the "exact" field in the Heap*BufMP_Params structure was true when the heap was created, the alloc only returns the block if the blockSize for a bucket is the exact size requested. If no exact size is found, an allocation error is returned.

The HeapMemMP_alloc() function allocates a block of memory of the requested size from the heap.

For all of these allocation functions, the cache coherency of the message is managed by the SharedRegion module that manages the shared memory region used for the heap.

3.5.7 Freeing Memory to the Heap

The `HeapBufMP_free()` function returns an allocated buffer to its heap.

The `HeapMultiBufMP_free()` function searches through the buckets to determine on which bucket the block should be returned. This is determined by the same algorithm as the `HeapMultiBufMP_alloc()` function, namely the smallest `blockSize` that the block can fit into.

If the "exact" field in the `Heap*BufMP_Params` structure was true when the heap was created, and the size of the block to free does not match any bucket's `blockSize`, an assert is raised.

The `HeapMemMP_free()` function returns the allocated block of memory to its heap.

For all of these deallocation functions, cache coherency is managed by the corresponding `Heap*MP` module.

3.5.8 Querying Heap Statistics

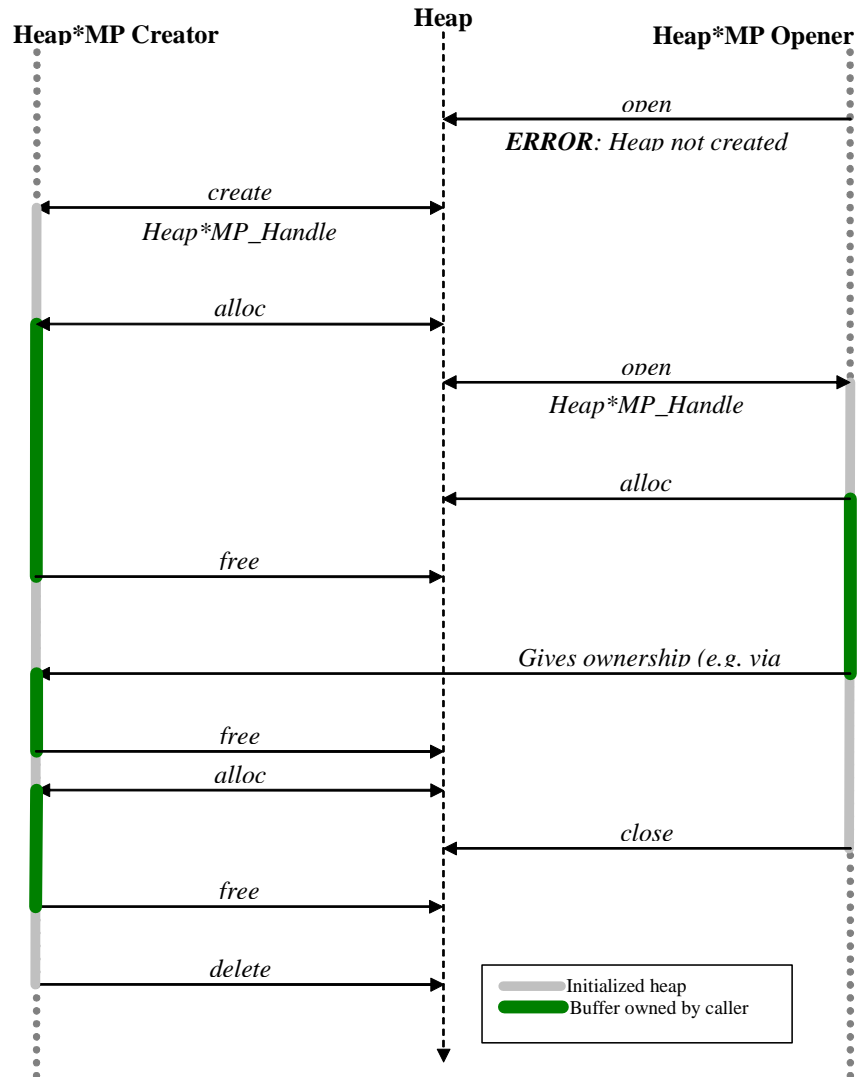
Both heap modules support use of the `xdc.runtime.Memory` module's `Memory_getStats()` and `Memory_query()` functions on the heap.

In addition, the `Heap*MP` modules provide the `Heap*MP_getStats()`, `Heap*MP_getExtendedStats()`, and `Heap*MP_isBlocking()` functions to enable you to gather information about a heap.

By default, allocation tracking is often disabled in shared-heap modules for performance reasons. You can set the `HeapBufMP.trackAllocs` and `HeapMultiBufMP.trackMaxAllocs` configuration properties to true in order to turn on allocation tracking for their respective modules. Refer to the CDOC documentation for further information.

3.5.9 Sample Runtime Program Flow

The following diagram shows the program flow for a two-processor (or two-thread) application. This application creates a Heap*MP instance dynamically.



3.6 GateMP Module

Note: The GateMP module is not supported for Concerto F28M35x devices.

A GateMP instance can be used to enforce both local and remote context protection. That is, entering a GateMP can prevent preemption by another thread running on the same processor and simultaneously prevent a remote processor from entering the same gate. GateMP's are typically used to protect reads/writes to a shared resource, such as shared memory.

3.6.1 Creating a GateMP Instance

As with other IPC modules, GateMP instances can only be created dynamically.

Before creating the GateMP instance, you initialize a GateMP_Params structure and set fields in the structure to the desired values. You then use the GateMP_create() function to dynamically create a GateMP instance.

When you create a gate, shared memory is initialized, but the GateMP object is created in local memory. Only the gate information resides in shared memory.

The following code creates a GateMP object:

```
GateMP_Params gparams;  
GateMP_Handle gateHandle;  
  
...  
  
GateMP_Params_init(&gparams);  
gparams.localProtect = GateMP_LocalProtect_THREAD;  
gparams.remoteProtect = GateMP_RemoteProtect_SYSTEM;  
gparams.name = "myGate";  
gparams.regionId = 1;  
gateHandle = GateMP_create(&gparams, NULL);
```

A gate can be configured to implement remote processor protection in various ways. This is done via the params.remoteProtect configuration property. The options for params.remoteProtect are as follows:

- ❑ **GateMP_RemoteProtect_NONE.** Creates only the local gate specified by the localProtect property.

- ❑ **GateMP_RemoteProtect_SYSTEM.** Uses the default device-specific gate protection mechanism for your device. Internally, GateMP automatically uses device-specific implementations of multi-processor mutexes implemented via a variety of hardware mechanisms. Devices typically support a single type of system gate, so this is usually the correct configuration setting for `params.remoteProtect`.
- ❑ **GateMP_RemoteProtect_CUSTOM1 and GateMP_RemoteProtect_CUSTOM2.** Some devices support multiple types of system gates. If you know that GateMP has multiple implementations of gates for your device, you can use one of these options.

Several gate implementations used internally for remote protection are provided in the `ti.sdo.ipc.gates` package.

A gate can be configured to implement local protection at various levels. This is done via the `params.localProtect` configuration property. The options for `params.localProtect` are as follows:

- ❑ **GateMP_LocalProtect_NONE.** Uses the XDCtools GateNull implementation, which does not offer any local context protection. For example, you might use this option for a single-threaded local application that still needs remote protection.
- ❑ **GateMP_LocalProtect_INTERRUPT.** Uses the SYS/BIOS GateHwi implementation, which disables hardware interrupts.
- ❑ **GateMP_LocalProtect_TASKLET.** Uses the SYS/BIOS GateSwi implementation, which disables software interrupts.
- ❑ **GateMP_LocalProtect_THREAD.** Uses the SYS/BIOS GateMutexPri implementation, which is based on Semaphores. This option may use a different gate than the following option on some operating systems. When using SYS/BIOS, they are equivalent.
- ❑ **GateMP_LocalProtect_PROCESS.** Uses the SYS/BIOS GateMutexPri implementation, which is based on Semaphores.

Other fields you are required to set in the `GateMP_Params` structure are:

- ❑ **name.** The name of the GateMP instance.
- ❑ **regionId.** The ID of the SharedRegion to use for shared memory used by this GateMP instance.

3.6.2 Opening a GateMP Instance

Once an instance is created on a processor, the gate can be opened on another processor to obtain a local handle to the same instance.

The GateMP module uses a NameServer instance to allow a remote processor to address the local GateMP instance using a user-configurable string value as an identifier rather than a potentially dynamic address value.

```
status = GateMP_open("myGate", &gateHandle);
if (status < 0) {
    System_printf("GateMP_open failed\n");
}
```

3.6.3 Closing a GateMP Instance

GateMP_close() frees a GateMP object stored in local memory.

GateMP_close() should never be called on an instance whose creator has been deleted.

3.6.4 Deleting a GateMP Instance

GateMP_delete() frees a GateMP object stored in local memory and flags the shared memory to indicate that the gate is no longer initialized.

A thread may not use GateMP_delete() if it acquired the handle to the gate using GateMP_open(). Such threads should call GateMP_close() instead.

3.6.5 Entering a GateMP Instance

Either the GateMP creator or opener may call GateMP_enter() to enter a gate. While it is necessary for the opener to wait for a gate to be created to enter a created gate, it isn't necessary for a creator to wait for a gate to be opened before entering it.

GateMP_enter() enters the caller's local gate. The local gate (if supplied) blocks if entered on the local processor. If entered by the remote processor, GateMP_enter() spins until the remote processor has left the gate.

No matter what the params.localProtection configuration property is set to, after GateMP_enter() returns, the caller has exclusive access to the data protected by this gate.

A thread may reenter a gate without blocking or failing.

GateMP_enter() returns a "key" that is used by GateMP_leave() to leave this gate; this value is used to restore thread preemption to the state that existed just prior to entering this gate.

```
IArg key;

...
/* Enter the gate */
key = GateMP_enter(gateHandle);
```

3.6.6 Leaving a GateMP Instance

GateMP_leave() may only called by a thread that has previously entered this gate via GateMP_enter().

After this method returns, the caller must not access the data structure protected by this gate (unless the caller has entered the gate more than once and other calls to leave remain to balance the number of previous calls to enter).

```
IArg key;

...
/* Leave the gate */
GateMP_leave(gateHandle, key);
```

3.6.7 Querying a GateMP Instance

GateMP_query() returns TRUE if a gate has a given quality, and FALSE otherwise, including cases when the gate does not recognize the constant describing the quality. The qualities you can query are:

- ❑ **GateMP_Q_BLOCKING.** If GateMP_Q_BLOCKING is FALSE, the gate never blocks.
- ❑ **GateMP_Q_PREEMPTING.** If GateMP_Q_PREEMPTING is FALSE, the gate does not allow other threads to preempt the thread that has already entered the gate.

3.6.8 NameServer Interaction

The GateMP module uses a ti.sdo.utils.NameServer instance to store instance information when an instance is created and the name parameter is non-NULL. The length of this name is limited to 16 characters (by default) including the null terminator ('\0'). This length can be increased by configuring the GateMP.maxNameLen module configuration property. If a name is supplied, it must be unique for all GateMP instances.

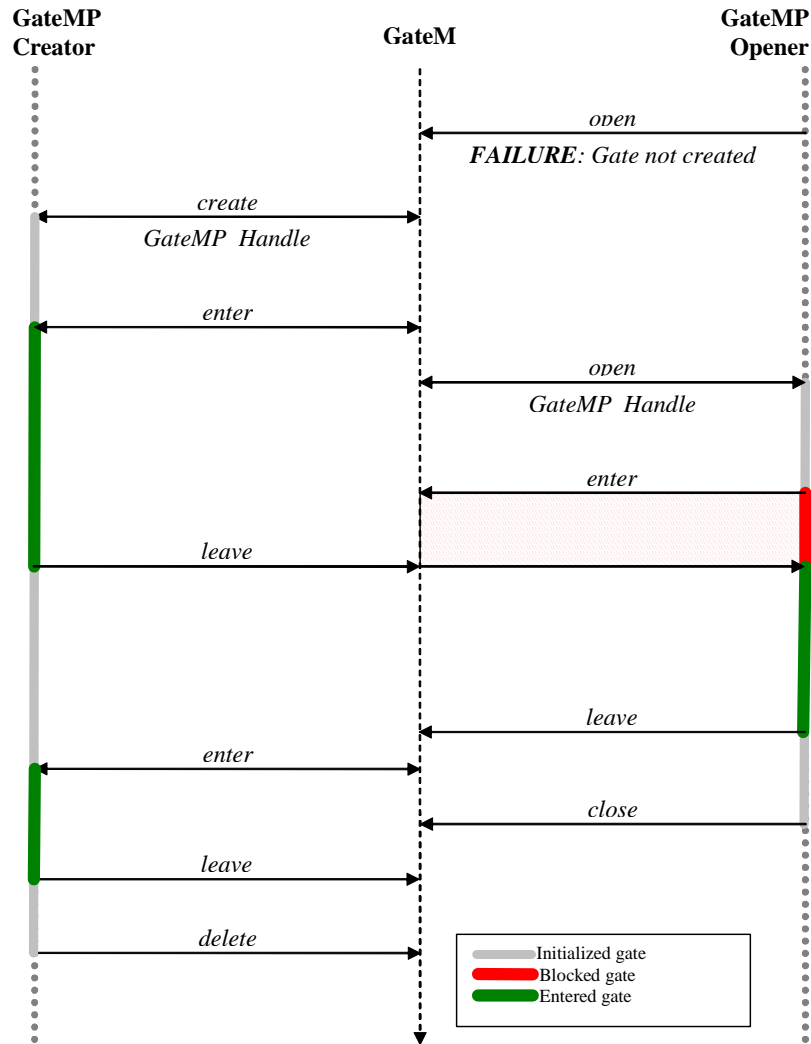
Other modules can use GateMP instances to protect access to their shared memory resources. For example, the NameServer name tables are protected by setting the "gate" property of the ti.sdo.utils.NameServer module.

These examples set the "gate" property for various modules:

```
heapBufMPPParams.gate = GateMP_getDefaultRemote();
listMPPParams.gate = gateHandle;
```

3.6.9 Sample Runtime Program Flow (Dynamic)

The following diagram shows the program flow for a two-processor (or two-thread) application. This application creates a Gate dynamically.



3.7 Notify Module

The ti.sdo.ipc.Notify module manages the multiplexing/demultiplexing of software interrupts over hardware interrupts.

Note: Notify use is the same with Concerto F28M35x devices as for other devices. See Section 6.3.1 for information about the NotifyDriverCirc driver used with the Notify module when you are using Concerto devices.

In order to use any Notify APIs, you must call the `lpc_start()` function first, usually within `main()`. This sets up all the necessary Notify drivers, shared memory, and interprocessor interrupts. However, note that if `lpc.setupNotify` is set to `FALSE`, you will need call `Notify_start()` outside the scope of `lpc_start()`.

To be able to receive notifications, a processor registers one or more callback functions to an eventId by calling `Notify_registerEvent()`. The callback function must have the following signature:

```
Void cbFxn(UInt16 procId, UInt16 lineId, UInt32 eventId,
           UArg arg, UInt32 payload);
```

The `Notify_registerEvent()` function (like most other Notify APIs) uses a `ti.sdo.utils.MultiProc` ID and line ID to target a specific interrupt line to/from a specific processor on a device.

```
Int status;
armProcId = MultiProc_getId("ARM");

Ipc_start();

/* Register cbFxn with Notify. It will be called when ARM
 * sends event number EVENTID to line #0 on this processor.
 * The argument 0x1010 is passed to the callback function. */
status = Notify_registerEvent(armProcId, 0, EVENTID,
                              (Notify_FnNotifyCbck)cbFxn, 0x1010);
if (status < 0) {
    System_abort("Notify_registerEvent failed\n");
}
```

The line ID number is typically 0 (zero), but is provided for use on systems that have multiple interrupt lines between processors.

When using `Notify_registerEvent()`, multiple callbacks may be registered with a single event. If you plan to register only one callback function for an event on this processor, you can call `Notify_registerEventSingle()` instead of `Notify_registerEvent()`. Better performance is provided with `Notify_registerEventSingle()`, and a `Notify_E_ALREADY EXISTS` status is returned if you try to register a second callback for the same event.

Once an event has been registered, a remote processor may "send" an event by calling `Notify_sendEvent()`. If the specified event and interrupt line are both enabled, all callback functions registered to the event will be called sequentially.

```
while (seq < NUMLOOPS) {
    Semaphore_pend(semHandle, BIOS_WAIT_FOREVER);
    /* Semaphore_post is called by callback function*/
    status = Notify_sendEvent(armProcId, 0, EVENTID, seq,
        TRUE);
}
```

In this example, the `seq` variable is sent as the "payload" along with the event. The payload is limited to a fixed size of 32 bits.

Since the fifth argument in the previous example call to `Notify_sendEvent()` is `TRUE`, if any previous event to the same event ID was sent, the Notify driver waits for an acknowledgement that the previous event was received.

A specific event may be disabled or enabled using the `Notify_disableEvent()` and `Notify_enableEvent()` calls. All notifications on an entire interrupt line may be disabled or restored using the `Notify_disable()` and `Notify_restore()` calls. The `Notify_disable()` call does not alter the state of individual events. Instead, it just disables the ability of the Notify module to receive events on the specified interrupt line.

"Loopback" mode, which is enabled by default, allows notifications to be registered and sent locally. This is accomplished by supplying the processor's own MultiProc ID to Notify APIs. Line ID 0 (zero) is always used for local notifications. See the `notify_loopback` example in `<ipc_install_dir>\packages\ti\sdo\ipc\examples\singlecore`. It is important to be aware of some subtle (but important) differences between remote and local notifications:

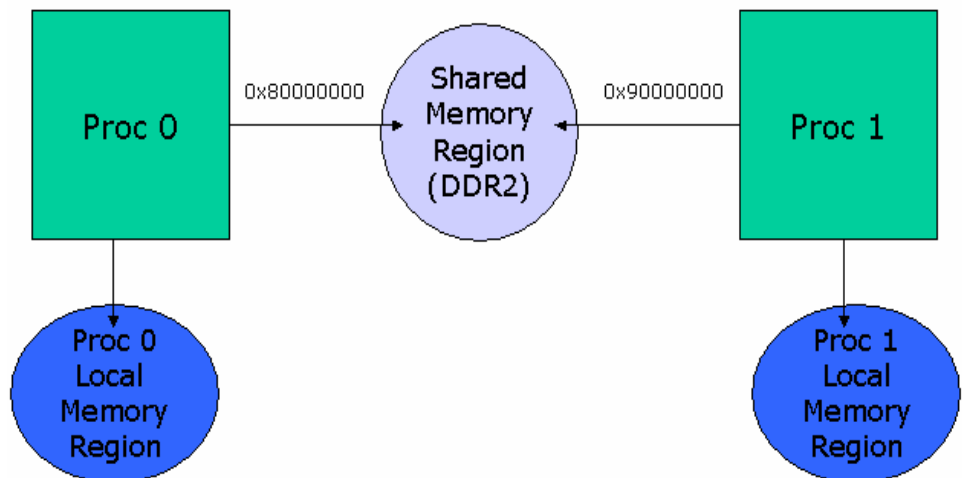
- ❑ Loopback callback functions execute in the context of the same thread that called `Notify_sendEvent()`. This is in contrast to callback functions called due to another processor's sent notification—such "remote" callback functions execute in an ISR context.
- ❑ Loopback callback functions execute with interrupts disabled.
- ❑ Disabling the local interrupt line causes all notifications that are sent to the local processor to be lost. By contrast, a notification sent to an enabled event on a remote processor that has called `Notify_disableEvent()` results in a pending notification until the disabled processor has called `Notify_restore()`.
- ❑ Local notifications do not support events of different priorities. By contrast, Notify driver implementations may correlate event IDs with varying priorities.

3.8 SharedRegion Module

The SharedRegion module is designed to be used in a multi-processor environment where there are memory regions that are shared and accessed across different processors.

Note: The SharedRegion module is not used on Concerto F28M35x devices. Instead, the IpcMgr module (in the ti.sdo.ipc.family.f28m35x package) is used to configure access to shared memory by Concerto devices. See Section B.2.

In an environment with shared memory regions, a common problem is that these shared regions are memory mapped to different address spaces on different processors. This is shown in the following figure. The shared memory region "DDR2" is mapped into Proc0's local memory space at base address 0x80000000 and Proc1's local memory space at base address 0x90000000. Therefore, the pointers in "DDR2" need to be translated in order for them to be portable between Proc0 and Proc1. The local memory regions for Proc0 and Proc1 are not shared thus they do not need to be added to the SharedRegion module.



On systems where address translation is not required, translation is a noop, so performance is not affected.

The SharedRegion module itself does not use any shared memory, because all of its state is stored locally. The APIs use the system gate for thread protection.

This module creates a shared memory region lookup table. The lookup table contains the processor's view of every shared region in the system. In cases where a processor cannot view a certain shared memory region, that shared memory region should be left invalid for that processor. Each processor has its own lookup table.

Each processor's view of a particular shared memory region can be determined by the same region ID across all lookup tables. At runtime, this table, along with the shared region pointer, is used to do a quick address translation.

The lookup table contains the following information about each shared region:

- ❑ **base.** The base address of the region. This may be different on different processors, depending on their addressing schemes.
- ❑ **len.** The length of the region. This should be the same across all processors.
- ❑ **ownerProcid.** MultiProc ID of the processor that manages this region. If an owner is specified, the owner creates a HeapMemMP instance at runtime. The other cores open the same HeapMemMP instance.
- ❑ **isValid.** Boolean to specify whether the region is valid (accessible) or not on this processor.
- ❑ **cacheEnable.** Boolean to specify whether a cache is enabled for the region on the local processor.
- ❑ **cacheLineSize.** The cache line size for the region. It is *crucial* that the value specified here be the same on all processors.
- ❑ **createHeap.** Boolean to specify if a heap is created for the region.
- ❑ **name.** The name associated with the region.

The maximum number of entries in the lookup table is statically configurable using the SharedRegion.numEntries property. Entries can be added during static configuration or at runtime. When you add or remove an entry in one processor's table, you must update all of the remaining processors' tables to keep them consistent. The larger the maximum number of entries, the longer it will take to traverse the lookup table when searching for the index. Therefore, keep the lookup table small for better performance and footprint.

Because each processor stores information about the caching of a shared memory region in the SharedRegion lookup table, other modules can (and do) make use of this caching information to maintain coherency and alignment when using items stored in shared memory.

In order to use the SharedRegion module, the following must be true:

- ❑ The SharedRegion.numEntries property must be the same on all processors.
- ❑ The size of a SharedRegion pointer is 32-bits wide.
- ❑ The SharedRegion lookup table must contain at least 1 entry for address translation to occur.
- ❑ Shared memory regions must not overlap each other from a single processor's viewpoint.
- ❑ Regions are not allowed to overlap from a single processor's view.
- ❑ The SharedRegion with an index of 0 (zero) is used by IPC_start() to create resource management tables for internal use by other IPC modules. Thus SharedRegion "0" must be accessible by all processors. Your applications can also make use of SharedRegion "0", but must be aware of memory limitations.

3.8.1 Adding Table Entries Staticly

To create a shared region lookup table in the RTSC configuration, first determine the shared memory regions you plan to use.

Next, specify the maximum number of entries in the lookup table with the SharedRegion.numEntries property. You can specify a value for the SharedRegion.cacheLineSize configuration property, which is the default cache line size if no size is specified for a region. You can also specify the value of the SharedRegion.translate property, which should only be set to false if all shared memory regions have the same base address on all processors. Setting the translate property to false improves performance because no address translation is performed. For example:

```
var SharedRegion =
    xdc.useModule('ti.sdo.ipc.SharedRegion');
SharedRegion.cacheLineSize = 32;
SharedRegion.numEntries = 4;
SharedRegion.translate = true;
```

Then, use the SharedRegion.setEntryMeta() method in the configuration file to specify the parameters of the entry.

```

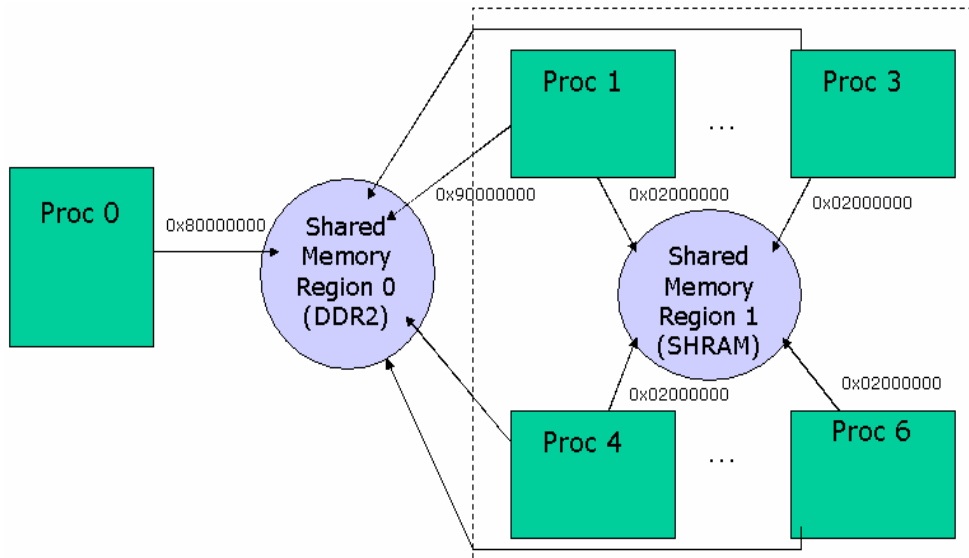
var SHAREDMEM      = 0x0C000000;
var SHAREDMEMSIZE = 0x00200000;

SharedRegion.setEntryMeta(0,
  { base: SHAREDMEM,
    len: SHAREDMEMSIZE,
    ownerProcId: 0,
    isValid: true,
    cacheEnable: true,
    cacheLineSize: 128,
    createHeap: true,
    name: "internal_shared_mem"  });

```

If, during static configuration, you don't know the base address for every processor, you should set the "isValid" field for an entry for which you don't yet know the base address to "false". Storing this information will allow it to be completed at runtime.

The following figure shows the configuration of a SharedRegion table for the system in the following figure. This system has seven processors and two shared memory regions. Region 0 ("ext") is accessible by all processors. Region 1 ("local") is accessible only by processors 1 to 6.



If the "createHeap" field is set to true, a HeapMemMP instance is created within the SharedRegion.

3.8.2 Modifying Table Entries Dynamically

In the application's C code, a shared memory region can be modified in the SharedRegion table by calling SharedRegion_setEntry().

Typically, applications configure SharedRegion table entries statically as described in the previous section, and only modify the table entries dynamically in applications where it is possible for shared memory region availability to change dynamically.

The call to SharedRegion_setEntry() must specify all the fields in the SharedRegion_Entry structure. The index specified must be the same across all processors for the same shared memory region. The index also must be smaller than the maxNumEntries property, otherwise an assert will be triggered.

```
typedef struct SharedRegion_Entry {
    Ptr base;
    SizeT len;
    UInt16 ownerProcId;
    Bool isValid;
    Bool cacheEnable;
    SizeT cacheLineSize;
    Bool createHeap;
    String name;
} SharedRegion_Entry;
```

You can use the SharedRegion_getEntry() API to fill the fields in a SharedRegion_Entry structure. Then, you can modify fields in the structure and call SharedRegion_setEntry() to write the modified fields back to the SharedRegion table.

If you want to reuse an index location in the SharedRegion table, you can call SharedRegion_clear() on all processors to erase the existing entry at that index location.

3.8.3 Using Memory in a Shared Region

Note that the SharedRegion with an index of 0 (zero) is used by IPC_start() to create resource management tables for internal use by the GateMP, NameServer, and Notify modules. Thus SharedRegion "0" must be accessible by all processors.

This example allocates memory from a SharedRegion:

```
buf = Memory_alloc(SharedRegion_getHeap(0),
                  sizeof(Tester) * COUNT, 128, NULL);
```

3.8.4 Getting Information About a Shared Region

The shared region pointer (SRPtr) is a 32-bit portable pointer composed of an ID and offset. The most significant bits of a SRPtr are used for the ID. The ID corresponds to the index of the entry in the lookup table. The offset is the offset from the base of the shared memory region. The maximum number of table entries in the lookup table determines the number of bits to be used for the ID. An increase in the id means the range of the offset would decrease. The ID is limited to 16-bits.

Here is sample code for getting the SRPtr and then getting the real address pointer back.

```
SharedRegion_SRPtr srptr;
UInt16 id;

// Get the id of the address if id is not already known.
id = SharedRegion_getId(addr);

// Get the shared region pointer for the address
srptr = SharedRegion_getSRPtr(addr, id);

// Get the address back from the shared region pointer
addr = SharedRegion_getPtr(srptr);
```

In addition, you can use the SharedRegion_getIdByName() function to pass the name of a SharedRegion and receive the ID number of the region.

You can use the SharedRegion_getHeap() function to get a handle to the heap associated with a region using the heap ID.

You can retrieve a specific shared region's cache configuration from the SharedRegion table by using the SharedRegion_isCacheEnabled() and SharedRegion_getCacheLineSize() APIs.

The Utilities Package

This chapter introduces the modules in the ti.sdo.utils package.

Topic	Page
4.1 Modules in the Utils Package	4-2
4.2 List Module	4-2
4.3 MultiProc Module	4-6
4.4 NameServer Module	4-11

4.1 Modules in the Utils Package

The ti.sdo.utils package contains modules that are used as utilities by other modules in the IPC product.

- **List.** This module provides a doubly-linked list manager for use by other modules. See Section 4.2.
- **MultiProc.** This module stores processor IDs in a centralized location for multi-processor applications. See Section 4.3.
- **NameServer.** This module manages name/value pairs for use by other modules. See Section 4.4.

4.2 List Module

The ti.sdo.utils.List module provides support for creating lists of objects. A List is implemented as a doubly-linked list, so that elements can be inserted or removed from anywhere in the list. Lists do not have a maximum size.

<p>Note: List module use is the same for Concerto F28M35x devices as for other devices.</p>
--

4.2.1 Basic FIFO Operation of a List

To add a structure to a List, its first field needs to be of type List_Elem. The following example shows a structure that can be added to a List. A List has a "head", which is the front of the list. List_put() adds elements to the back of the list, and List_get() removes and returns the element at the head of the list. Together, these functions support a FIFO queue.

Run-time example: The following example demonstrates the basic List operations—`List_put()` and `List_get()`.

```

/* This structure can be added to a List because the first
 * field is a List_Elem. Declared globally. */
typedef struct Rec {
    List_Elem elem;
    Int data;
} Rec;

...

List_Handle myList;           /* in main() */
Rec r1, r2;
Rec* rp;

r1.data = 100;
r2.data = 200;

/* No parameters are needed to create a List. */
myList = List_create(NULL, NULL);

/* Add r1 and r2 to the back of myList. */
List_put(myList, &(r1.elem));
List_put(myList, &(r2.elem));

/* get the records and print their data */
while ((rp = List_get(myList)) != NULL) {
    System_printf("rec: %d\n", rp->data);
}

```

The example prints the following:

```

rec: 100
rec: 200

```

4.2.2 Iterating Over a List

The List module also provides several APIs for looping over a List.

`List_next()` with `NULL` returns the element at the front of the List (without removing it). `List_next()` with an `elem` returns the next `elem`. `NULL` is returned when the end of the List is reached.

Similarly, `List_prev()` with `NULL` returns the tail. `List_prev()` with an `elem` returns the previous `elem`. `NULL` is returned when the beginning of the List is reached.

Run-time example: The following example demonstrates one way to iterate over a List once from beginning to end. In this example, "myList" is a List_Handle.

```
List_Elem    *elem = NULL;
Rec*  rp;

...

/* To start the search at the beginning of the List */
rp = NULL;

/* Begin protection against modification of the List */
key = Gate_enterSystem();

while ((elem = List_next(myList, elem)) != NULL) {
    System_printf("rec: %d\n", rp->data);
}
/* End protection against modification of the List */
Gate_leaveSystem(key);
```

4.2.3 Inserting and Removing List Elements

Elements can also be inserted or removed from anywhere in the middle of a List using List_insert() and List_remove(). List_insert() inserts an element in front of the specified element. Use List_putHead() to place an element at the front of the List and List_put() to place an element at the end of the List.

List_remove() removes the specified element from whatever List it is in.

Note that List does not provide any APIs for inserting or removing elements at a given index in the List.

Run-time example: The following example demonstrates List_insert() and List_remove():

```
/* Insert r2 in front of r1 in the List. */
List_insert(myList, &(r1.elem), &(r2.elem));

/* Remove r1 from the List. */
List_remove(myList, &(r1.elem));
```

Run-time example: The following example treats the List as a LIFO stack using `List_putHead()` and `List_get()`:

```
List_Elem elem[NUMELEM];
List_Elem *tmpElem;

// push onto the top (i.e. head)
for (i = 0; i < NUMELEM; i++) {
    List_putHead(listHandle, &(elem[i]));
}

// remove the buffers in FIFO order.
while((tmpElem = List_get(listHandle)) != NULL) {
    // process tmpElem
}
```

4.2.4 Atomic List Operations

Lists are commonly shared across multiple threads in the system, which might lead to concurrent modifications of the List by different threads, which would corrupt the List. List provides several "atomic" APIs that disable interrupts before operating on the List. These APIs are `List_get()`, `List_put()`, `List_putHead()`, and `List_empty()`.

An atomic API completes in core functionality without being interrupted. Therefore, atomic APIs are thread-safe. An example is `List_put()`. Multiple threads can call this API at the same time. The threads do not have to manage the synchronization.

Other APIs—`List_prev()`, `List_next()`, `List_insert()`, and `List_remove()`—should be protected by the application.

4.3 MultiProc Module

Many IPC modules require the ability to uniquely specify and identify processors in a multi-processor environment. The MultiProc module centralizes processor ID management into one module. Most multi-processor IPC applications require that you configure this module using the MultiProc.setConfig() function in the *.cfg script. The setConfig() function tells the MultiProc module:

- ❑ The specific processor for which this application is being built.
- ❑ The processors in this cluster. A "cluster" is a set of processors within a system that share some memory and for which notification between those processors is needed.

Note: MultiProc module use is the same for Concerto F28M35x devices as for other devices.

Most systems contain a single cluster. For systems with multiple clusters, you also need to configure the numProcessors and baseIdOfCluster properties. See Section 4.3.1 for examples that configure systems with multiple clusters.

Each processor reference by the MultiProc module can be uniquely identified by either its name string or an integer ranging from 0 to MultiProc.maxProcessors - 1.

The following RTSC configuration statements set up a MultiProc array. At runtime, the "DSP" processor running this configuration gets assigned an ID value of 2. The other processors in the system are "VIDEO" with a processor ID of 0 and "DSS" with a processor ID of 1.

```
/* DSP will get assigned processor id 2. */  
var MultiProc = xdc.useModule('ti.sdo.utils.MultiProc');  
MultiProc.setConfig("DSP", ["VIDEO", "DSS", "DSP"]);
```

The ID is a software-only setting. It does not correlate to hardware core IDs or any other type of hardware identification. For devices with more than one core, each core must have its own unique processor ID. The ID is also independent of any OS setting.

The processor ID is not always known at configuration time. It might need to be determined at initialization time via a GPIO pin, flash setting, or some other method. You can call the MultiProc_setLocalId() API (with the restriction that it must be called before module startup) to set the processor ID. However, other modules that use MultiProc need to know that the static ID will be changed during initialization. Setting the local name to NULL in the MultiProc.setConfig statement in the configuration

indicates that the `MultiProc_setLocalId()` API will be used at runtime. Other modules that use MultiProc should act accordingly by deferring processing until the actual ID is known.

For example, the following fragment of configuration code requires that the `MultiProc_setLocalId()` API be run during startup to fill in the NULL processor name.

```
/* Specify startup function */
var Startup = xdc.useModule('xdc.runtime.Startup');
Startup.firstFxn.$add('&setMyId');

/* Specify MultiProc config; current processor unknown */
var MultiProc = xdc.useModule('ti.sdo.utils.MultiProc');
MultiProc.setConfig(null, ["CORE0", "CORE1", "CORE2"]);
```

Then, the application code could contain the following `setMyID()` function to be run at startup:

```
Void setMyId()
{
    UInt16 procId;
    Int    status;

    //
    // Board specific determination of processor id.
    // Example: GPIO_READ reads register of GPIO pin 5
    //
    if (GPIO_READ(5) == 0) {
        procId = 0;
    }
    else {
        procId = 1;
    }

    MultiProc_setLocalId(procId);
}
```

Your application can query the MultiProc table using various runtime APIs.

At runtime, the `MultiProc_getId()` call returns the MultiProc ID for any processor name. At config-time, the `MultiProc.getIdMeta()` call returns the same value. For example:

```
core1ProcId = MultiProc_getId("CORE1");
```

`MultiProc_self()` returns the processor ID of the processor running the API. For example:

```
System_printf("My MultiProc id = %d\n", MultiProc_self());
```

`MultiProc_getBaselDOfCluster()` returns the MultiProc ID of the base processor in the cluster to which this processor belongs.

The `MultiProc_getName()` API returns that processor name if given the MultiProc ID. For example:

```
core0Name = MultiProc_getName(0);
```

`MultiProc_getNumProcessors()` evaluates to the total number of processors.

```
System_printf("Number of processors in the system = %d\n",  
             MultiProc_getNumProcessors() );
```

`MultiProc_getNumProcsInCluster()` returns the number of processors in the cluster to which this processor belongs.

4.3.1 Configuring Clusters With the MultiProc Module

A "cluster" is a set of processors within a system that share some memory and for which notification between those processors is needed. If your system has multiple clusters, you need to configure the MultiProc module's `numProcessors` and `baseIdOfCluster` properties in addition to calling the `MultiProc.setConfig()` function.

Notifications are not supported between different clusters.

For example, in a system with two 'C6678 devices that each use eight homogeneous cores, you could configure the first 'C6678 device as follows:

```
var MultiProc = xdc.useModule('ti.sdo.utils.MultiProc');  
MultiProc.setConfig(null, ["CORE0", "CORE1", "CORE2",  
                          "CORE3", "CORE4", "CORE5", "CORE6", "CORE7"]);  
MultiProc.baseIdOfCluster = 0;  
MultiProc.numProcessors = 16;
```

You could configure the second 'C6678 device as follows:

```
var MultiProc = xdc.useModule('ti.sdo.utils.MultiProc');  
MultiProc.setConfig(null, ["CORE0", "CORE1", "CORE2",  
                          "CORE3", "CORE4", "CORE5", "CORE6", "CORE7"]);  
MultiProc.baseIdOfCluster = 8;  
MultiProc.numProcessors = 16;
```


Notice that the `MultiProc.numProcessors` property specifies the total number of processors in the system, while the length of the array passed to `setConfig()` specifies the number of processors in the cluster. (If you are not using multiple clusters, the `numProcessors` property is configured automatically.)

The `MultiProc.baseIdOfCluster` property is set to the `MultiProc` ID number you want to use for the first processor in the array for this cluster. For example, if there are 8 processors in a cluster, the `baseIdOfCluster` property should be 0 for the first cluster and 8 for the second cluster.

The `Ipc_start()` and `Ipc_attach()` APIs can only be used to attach and synchronizes with processors in the same cluster.

To create a connection between cores in different clusters, you must manually create a connection using the `MessageQ` and `ti.sdo.ipc.NameServerMessageQ` modules. The `NameServerMessageQ` module supports `NameServer` requests between different clusters by using `MessageQ`, which in turns uses the `MessageQ` transport to send a `NameServer` request.

You can control the timeout period for the `NameServerMessageQ` module by configuring its `timeoutInMicroSecs` parameter, which defaults to 1 second. If a response is not received within the timeout period, the `NameServer` request returns a failure status. The `NameServerRemoteNotify` module also has a `timeoutInMicroSecs` parameter that you can configure; it defaults to wait forever.

Creating a connection between cores in different clusters allows you to call `MessageQ_open()` even for a core on a different cluster. Note that these calls must occur after the `MessageQ` heap has been registered, because they allocate memory from the heap.

Once the connection has been created, `MessageQ` can be used between different processors on different clusters just as it is used between different processors in the same cluster.

The following example function creates a NameServerMessageQ and TransportXXX to communicate remotely with a processor in a different cluster. The "remoteProcId" would be specified to be the MultiProc ID of the processor in the system. "TransportXXX" must be a copy-based transport that does not require any shared memory. You would need to create such a transport, because IPC does not provide one.

```
Void myRemoteCreateFunction(UInt16 remoteProcId)
{
    NameServerMessageQ_Params  nsParams;
    NameServerMessageQ_Handle  nsHandle;
    TransportXXX_Handle        tranHandle;
    TransportXXX_Params        tranParams;
    Error_Block  eb;

    Error_init(&eb);

    /*
     * Note: You must register a MessageQ heap prior to
     * calling NameServerMessageQ_create().
     */

    /* init nsParams */
    NameServerMessageQ_Params_init(&nsParams);

    /* create driver to remote processor */
    nsHandle = NameServerMessageQ_create(
        remoteProcId, /* MultiProc ID of proc on 2nd cluster */
        &nsParams,
        &eb);
    if (nsHandle == NULL) {
        SYS_abort("NameServerMessageQ_create() failed");
    }

    /* initialize the transport parameters */
    TransportXXX_Params_init(&tranParams);

    tranHandle = TransportXXX_create(
        remoteProcId, /* MultiProc ID of proc on 2nd cluster */
        &tranParams,
        &eb);
    if (tranHandle == NULL) {
        SYS_abort("TransportXXX_create() failed");
    }
}
```

4.4 NameServer Module

The NameServer module manages local name/value pairs. This enables an application and other modules to store and retrieve values based on a name.

Note: NameServer module use is essentially the same for Concerto F28M35x devices as for other devices.

The NameServer module maintains thread-safety for its APIs. However, NameServer APIs cannot be called from an interrupt (that is, Hwi context). They can be called from Swis and Tasks.

This module supports different lengths of values. The NameServer_add() and NameServer_get() functions support variable-length values. The NameServer_addUInt32() function is optimized for UInt32 variables and constants.

The NameServer module currently does not perform any endian or word size conversion. Also there is no asynchronous support at this time.

You can create NameServer instances dynamically, but not statically.

To create a NameServer instance dynamically, initialize a NameServer_Params structure with NameServer_Params_init() and customize the values as needed. The parameters include the following:

- ❑ **checkExisting.** If true, NameServer check to see if a name already exists in the name/value table before adding it.
- ❑ **maxNameLen.** Specify the maximum length, in characters, of the name field in the table.
- ❑ **maxRuntimeEntries.** Specify the maximum number of name/value pairs this table can hold. If you set this parameter to NameServer_ALLOWGROWTH, then NameServer allows dynamic growth of the table.
- ❑ **maxValueLen.** Specify the maximum length, in MAUs, of the value field in the table.
- ❑ **tableHeap.** The heap to allocate the name/value table from when allocating dynamically. If this parameter is NULL, the heap used for object allocation is also used here.

After setting parameters, use NameServer_create() to create an instance. Each NameServer instance manages its own name/value table.

The following C example creates a NameServer instance dynamically. The instance allows a maximum of 10 runtime entries (instead of using ALLOWGROWTH). This example also specifies where to allocate the memory needed for the tables (instead of using the default).

```
NameServer_Handle NSHandle;
NameServer_Params params;

NameServer_Params_init(&params);
params.tableHeap = HeapStd_Handle_upCast(myHeap);
params.maxRuntimeEntries = 10;
NSHandle = NameServer_create("myTable", &params);
if (NSHandle == NULL) {
    // manage error
}
```

This example C code adds and removes entries at run-time:

```
Ptr key;

key = NameServer_addUInt32(NSHandle, "volume", 5);
if (key == NULL) {
    // manage error
}

NameServer_removeEntry(NSHandle, key);
// or
NameServer_remove(NSHandle, "volume");
```

The following example searches the NameServer instance pointed to by "handle" on the specified processor for a name-value pair with the name stored in nameToFind. It returns the value of the pair to valueBuf.

```
/* Search NameServer */
status = NameServer_get(NSHandle, nameToFind, valueBuf,
                        sizeof(UInt32), procId);
```

Using different parameters for different table instances allows you to meet requirements like the following:

- ❑ **Size differences.** The maxValuelen parameter specifies the maximum length, in MAUs, of the value field in the table. One table could allow long values (for example, > 32 bits), while another table could be used to store integers. This customization enables better memory usage.
- ❑ **Performance.** Multiple NameServer tables can improve the search time when retrieving a name/value pair.

- ❑ **Relax name uniqueness.** Names in a specific table must be unique, but the same name can be used in different tables.

When you call `NameServer_delete()`, the memory for the name/values pairs is freed. You do not need to call `NameServer_remove()` on the entries before deleting a `NameServer` instance.

In addition to the functions mentioned above, the `NameServer` module provides the following APIs:

- ❑ **`NameServer_get()`** Retrieves the value portion of a local name/value pair from the specified processor.
- ❑ **`NameServer_getLocal()`** Retrieves the value portion of a local name/value pair.
- ❑ **`NameServer_remove()`** Removes a name/value pair from the table given a name.
- ❑ **`NameServer_removeEntry()`** Removes an entry from the table given a pointer to an entry.

`NameServer` maintains the name/values table in local memory, not in shared memory. However the `NameServer` module can be used in a multiprocessor system. The module communicates with other processors via `NameServer Remote` drivers, which are implementations of the `INameServerRemote` interface. The communication to the other processors is dependent on the `Remote` drivers implementation. When a remote driver is created, it registers with `NameServer` via the `NameServer_registerRemoteDriver()` API.

The `NameServer` module uses the `MultiProc` module to identify different processors. Which remote processors to query and the order in which they are queried is determined by the `proclid` array passed to the `NameServer_get()` function.

Porting IPC

This chapter provides an overview of the steps required to port IPC to new devices or systems.

Topic	Page
5.1 Interfaces to Implement	5-2
5.2 Other Porting Tasks	5-2

5.1 Interfaces to Implement

When porting IPC to new devices, you may need to create custom implementations of the following interfaces. You may find that the provided implementations of these interfaces meet your needs, so don't assume that you will need to create custom implementation in all cases.

- ❑ “IInterrupt” for use by Notify. The interface definition is in `ti.sdo.ipc.notifyDrivers.IInterrupt`.
- ❑ “IGateMPSupport” for use by GateMP. The interface definition is in `ti.sdo.ipc.interfaces.IGateMPSupport`.
- ❑ “IMessageQTransport” and “ITransportSetup” for use by MessageQ. Interface definitions are in `ti.sdo.ipc.interfaces.IMessageQTransport` and `ti.sdo.ipc.interfaces.ITransportSetup`.
- ❑ “INotifyDriver” for use by Notify. The interface definition is in `ti.sdo.ipc.interfaces.INotifyDriver`.
- ❑ “INotifySetup” module, which defines interrupt mappings, for use by Notify. The interface definition is in `ti.sdo.ipc.interfaces.INotifySetup`.

For details about the interfaces, see the IPC online documentation.

5.2 Other Porting Tasks

You will likely need to specify custom shared region(s) in your configuration file. For details, see Section 3.8, *SharedRegion Module*.

Optionally, you may implement custom Heaps and hardware-specific versions of other IPC modules.

Optimizing IPC Applications

This chapter provides hints for improving the runtime performance and shared memory usage of applications that use IPC.

Topic	Page
6.1 Compiler and Linker Optimization	6-2
6.2 Optimizing Runtime Performance	6-5
6.3 Optimizing Notify and MessageQ Latency	6-6
6.4 Optimizing Shared Memory Usage	6-9
6.5 Optimizing Local Memory Usage	6-11
6.6 Optimizing Code Size	6-11

6.1 Compiler and Linker Optimization

You can optimize your application for better performance and code size or to give you more debugging information by selecting different ways of compiling and linking your application. For example, you can do this by linking with versions of the SYS/BIOS and IPC libraries that were compiled differently.

The choices you can make related to compiler and linker optimization are located in the following places:

- ❑ **RTSC Build-Profile.** You see this field when you are creating a new CCS project or modifying the CCS Build settings. We recommend that you use the "release" setting. The "release" option is preferred even when you are creating and debugging an application; the "debug" option is mainly intended for internal use by Texas Instruments. The "release" option results in a somewhat smaller executable that can still be debugged. This build profile primarily affects how Codec Engine and some device drivers are built.

Note: The "whole_program" and "whole_program_debug" options for the RTSC Build-Profile have been deprecated, and are no longer recommended. The option that provides the most similar result is to set the BIOS.libType configuration property to BIOS.LibType_Custom.

- ❑ **CCS Build Configuration.** This setting in the CCS Build settings allows you to choose between and customize multiple build configurations. Each configuration can have the compiler and linker settings you choose.
- ❑ **BIOS.libType configuration property.** You can set this property in XGCONF or by editing the .cfg file in your project. This property lets you select from two pre-compiled versions of the SYS/BIOS and IPC libraries or to have a custom version of the SYS/BIOS and IPC libraries compiled based on the needs of your application. See the table and discussion that follow for more information.

The options for the BIOS.libType configuration property are as follows:

BIOS.libType	Compile Time	Logging	Code Size	Run-Time Performance
Instrumented (BIOS.LibType_Instrumented)	Fast	On	Good	Good
Non-Instrumented (BIOS.LibType_NonInstrumented)	Fast	Off	Better	Better

BIOS.LibType	Compile Time	Logging	Code Size	Run-Time Performance
Custom (BIOS.LibType_Custom)	Fast (slow first time)	As configured	Best	Best
Debug (BIOS.LibType_Debug)	Slower	As configured	--	--

- ❑ **Instrumented.** (default) This option links with pre-built SYS/BIOS (and IPC) libraries that have instrumentation available. All Asserts and Diags settings are checked. Your configuration file can enable or disable various Diags and logging related settings. However, note that the checks to see if Diags are enabled before outputting a Log event are always performed, which has an impact on performance even if you use the ALWAYS_ON or ALWAYS_OFF setting. The resulting code size when using this option may be too large to fit on some targets, such as C28x and MSP430. This option is easy to use and debug and provides a fast build time.
- ❑ **Non-Instrumented.** This option links with pre-built SYS/BIOS (and IPC) libraries that have instrumentation turned off. No Assert or Diag settings are checked, and logging information is not available at run-time. The checking for Asserts and Diags is compiled out of the libraries, so run-time performance and code size are optimized. Checking of Error_Blocks and handling errors in ways other than logging an event are still supported. This option is easy to use and provides a fast build time.
- ❑ **Custom.** This option builds custom versions of the SYS/BIOS (and IPC) libraries that contain the modules and APIs that your application needs to access. If you have not used a particular module in your .cfg file or your C code (and it is not required internally by a SYS/BIOS module that is used), that module is not contained in the custom libraries compiled for your application. This option provides the best run-time performance and best code size given the needs of your application. Instrumentation is available to whatever extent your application configures it.

The first time you build a project with the custom libType, the build will be longer. The custom libraries are stored in the "src" directory of your project. Subsequent builds may be faster; libraries do not need to be rebuilt unless you change one of the few configuration properties that affect the build settings, or you use an additional module that wasn't already used in the previous configuration.

Note: If you disable SYS/BIOS Task or Swi scheduling, you must use the "custom" option in order to successfully link your application.

The custom option uses program optimization that removes many initialized constants and small code fragments (often "glue" code) from the final executable image. Such classic optimizations as constant folding and function inlining are used, including across module boundaries. The custom build preserves enough debug information to make it still possible to step through the optimized code in CCS and locate global variables.

- ❑ **Debug.** This option is not recommended; it is intended for internal use by Texas Instruments developers.

The following example statements set the BIOS.libType configuration property:

```
var BIOS = xdc.useModule('ti.sysbios.BIOS');

BIOS.libType = BIOS.LibType_Custom;
```

If you use the custom option for the BIOS.libType, you can also set the BIOS.customCCOpts property to customize the C compiler command-line options used when compiling the SYS/BIOS libraries. If you want to change this property, it is important to first examine and understand the default command-line options used to compile the SYS/BIOS libraries for your target. You can see the default in XGCONF or by placing the following statement in your configuration script and building the project:

```
print("customCCOpts =", BIOS.customCCOpts);
```

Be careful not to cause problems for the SYS/BIOS compilation when you modify this property. For example, the --program_level_compile option is required. (Some --define and --include_path options are used on the compiler command line but are not listed in the customCCOpts definition; these also cannot be removed.)

For example, to create a debuggable custom library, you can remove the -o3 option from the BIOS.customCCOpts definition by specifying it with the following string for a C64x+ target:

```
BIOS.customCCOpts = "-mv64p --abi=eabi -q -mi10 -mo -pdr -pden -pds=238 -pds=880 -pds1110 --embed_inline_assembly --program_level_compile -g";
```

6.2 Optimizing Runtime Performance

You can use one or more of the following techniques to improve the runtime performance of IPC applications:

- ❑ After you have finished debugging an application, you can disable asserts and logging with the following configuration statements:

```
var Diags = xdc.useModule("xdc.runtime.Diags");
var Defaults = xdc.useModule('xdc.runtime.Defaults');
Defaults.common$.diags_ASSERT = Diags.ALWAYS_OFF;
Defaults.common$.logger = null;
```

- ❑ If shared memory has the same address on all processors, you can use the following configuration statement to set the `SharedRegion.translate` property to false. See Section 3.8.1 for more about `SharedRegion` configuration.

```
SharedRegion.translate = false;
```

- ❑ Ensure that code, data, and shared data are all placed in cacheable memory. Refer to the SYS/BIOS documentation for information on how to configure a cache. See the *TI SYS/BIOS Real-time Operating System v6.x User's Guide* (SPRUEX3) for details.

- ❑ You can reduce contention between multiple processors and multiple threads by creating a new gate for use by a new IPC module instance. Leaving the `params.gate` property set to NULL causes the default system `GateMP` instance to be used for context protection. However, in some cases it may be optimal to create a new `GateMP` instance and supply it to the instance creation. See Section 3.6.1 for more information. For example:

```
GateMP_Params gateParams;
GateMP_Handle gateHandle;
HeapBufMP_Params heapParams;

GateMP_Params_init(&gateParams);
gateHandle = GateMP_create(&gateParams);

HeapBufMP_Params_init(&heapParams);
heapParams.gate = gateHandle;
```

- ❑ If a unicache is shared between two cores in shared memory and you expect to share certain IPC instances (such as a `GateMP` or `ListMP`) solely between those two cores, you may be able to improve performance by creating a `SharedRegion` with cache disabled for use between those two cores only. Since region 0 needs to be accessible by all cores on a system, region 1 can be created with a cache line size of 0 and a `cacheEnable` configuration of `FALSE`. Any IPC

instance created within a SharedRegion inherits the cache settings (the cacheEnabled flag and the cacheLineSize) from this region. Therefore, unnecessary cache operations can be avoided by creating an instance in region 1.

The following configuration statements create a SharedRegion with the cache disabled (on OMAP4430):

```
SharedRegion.setEntryMeta(1, /* Create shared region 1 */
    { base: 0x86000000,
      len: 0x10000,
      ownerProcId: 0,
      isValid: true,
      cacheEnabled: false, /* Cache operations unneeded */
      cacheLineSize: 0, /* Cache padding unneeded */
      name: "DDR2",
    });
```

The following C code creates a HeapBufMP instance in this SharedRegion:

```
HeapBufMP_Params heapParams;
HeapBufMP_Handle heapHandle;

HeapBufMP_Params_init(&heapParams);
heapParams.regionId = 1;

heapHandle = HeapBufMP_create(&heapParams);
```

This heap can be used by either of the Cortex M3 cores on an OMAP4430, because they both share a unicast. Do not use this heap (or anything else belonging to a SharedRegion with caching disabled) from any other processor if the shared memory belonging to the SharedRegion is cacheable.

6.3 Optimizing Notify and MessageQ Latency

By default, IPC applications are configured to use the `ti.sdo.ipc.notifyDrivers.NotifyDriverShm` Notify driver and the `ti.sdo.ipc.transports.TransportShm` MessageQ transport. These modules are used by default because they offer backward compatibility with older IPC/SysLink releases. In addition, these modules may offer functionality not supported by their newer, lower-latency counterparts.

If your application does not need functionality provided only by the default Notify drivers or MessageQ transport, you can reduce the latency by switching to alternative MessageQ transports and/or Notify drivers.

6.3.1 Choosing and Configuring Notify Drivers

To switch to a different Notify driver, set the `Notify.SetupProxy` configuration to the family-specific Notify setup module. For example, the following statements configure an application on the DM6446 to use the `NotifyDriverCirc` driver for that device:

```
var Notify = xdc.useModule('ti.sdo.ipc.Notify');
Notify.SetupProxy =
    xdc.useModule('ti.sdo.ipc.family.dm6446.NotifyCircSetup');
```

IPC provides the following Notify drivers. Each has a corresponding setup module that should be used as the `Notify.SetupProxy` module.

Table 6-1. Notify Driver Modules and Corresponding Setup Modules

Modules and Description	Supports Disabling/Enabling Events	Latency
ti.sdo.ipc.notifyDrivers. NotifyDriverShm ti.sdo.ipc.family.<family>.NotifySetup This shared-memory Notify driver offers room for a single pending notification in shared memory per event. This is the default driver on non-F28M35x devices.	Yes	Default
ti.sdo.ipc.notifyDrivers. NotifyDriverCirc ti.sdo.ipc.family.<family>.NotifyCircSetup This shared-memory Notify driver uses a circular buffer to store notifications. Unlike <code>NotifyDriverShm</code> , this driver stores all notifications in the same circular buffer (whose size is configurable).	No	Better than <code>NotifyDriverShm</code>
ti.sdo.ipc.family.ti81xx. NotifyDriverMbx ti.sdo.ipc.family.ti81xx.NotifyMbxSetup This TI81xx-only Notify driver uses the hardware mailbox. This driver is not usable by other devices. Notifications are stored in hardware mailbox queues present on TI81xx devices.	No	Better than <code>NotifyDriverCirc</code> and <code>NotifyDriverShm</code>
ti.sdo.ipc.family.f28m35x. NotifyDriverCirc ti.sdo.ipc.family.f28m35x.NotifyCircSetup This F28M35x-only (Concerto) shared-memory Notify driver uses a circular buffer to store notifications. This is the only Notify driver that works with the F28M35x device.	No	-- only Notify driver for F28M35x --

6.3.2 Choosing and Configuring MessageQ Transports

Similarly, to use an alternative MessageQ transport, configure the MessageQ.SetupTransportProxy property to use the transport's corresponding Transport Setup proxy. For example, to use the TransportShmNotify module, use the following configuration:

```
var MessageQ = xdc.module('ti.sdo.ipc.MessageQ');
MessageQ.SetupTransportProxy =
    xdc.module('ti.sdo.ipc.transports.TransportShmNotifySetup');
```

Unlike the Notify setup modules, Transport setup modules are generally not family-specific; most are located in the ti.sdo.ipc.transports package.

IPC provides the following transports. Each has a corresponding setup module for use as the MessageQ.SetupTransportProxy module.

Table 6-2. Transport Modules and Corresponding Setup Modules

Modules and Description	Transport Speed
ti.sdo.ipc.transports. TransportShm ti.sdo.ipc.transports.TransportShmSetup This shared-memory MessageQ transport uses ListMP to temporarily queue messages in shared memory before the messages are moved to the destination queue. This transport is typically slowest because of the overhead of queuing messages using a linked list. This is the default MessageQ transport on non-F28M35x devices.	Slowest
ti.sdo.ipc.transports. TransportShmCirc ti.sdo.ipc.transports.TransportShmCircSetup This shared-memory MessageQ transport uses a fixed-length circular buffer to temporarily queue messages in shared memory before the messages are moved to the destination queue. This transport is typically faster than TransportShm because of the efficiencies gained by using a circular buffer instead of a linked list.	Medium
ti.sdo.ipc.transports. TransportShmNotify ti.sdo.ipc.transports.TransportShmNotifySetup This shared-memory MessageQ transport does no buffering before the messages are moved to the destination queue. Because of the lack of buffering, this transport tends to offer lower MessageQ latency than either TransportShm or TransportShm. However, If messages aren't received quickly enough by the receiver, the sender may spin while waiting for the receiver to move the message to its local queue.	Fastest, but depends on fast processing of messages by receiver

6.4 Optimizing Shared Memory Usage

You can use one or more of the following techniques to reduce the shared memory footprint of IPC applications:

- ❑ If some connections between processors are not needed, it is not necessary to attach to those cores. To selectively attach between cores, use pair-wise synchronization as described in Section 3.2.1. Your C code must call `lpc_attach()` for processors you want to connect to if you are using pair-wise synchronization. The following configuration statement causes the `lpc` module to expect pair-wise synchronization.

```
lpc.procSync = lpc.ProcSync_PAIR;
```

At run-time, only call `lpc_attach()` to a remote processor if one or more of the following conditions is true:

- The remote processor is the owner of region 0.
 - It is necessary to send Notifications between this processor and the remote processor.
 - It is necessary to send MessageQ messages between this processor and the remote processor.
 - It is necessary for either the local or remote processor to open a module instance using `MODULE_open()` that has been created on the other processor.
- ❑ Configure the `lpc.setEntryMeta` property to disable components of IPC that are not required. For example, if an application uses Notify but not MessageQ, disabling MessageQ avoids the creation of MessageQ transports during `lpc_attach()`.

```
/* To avoid wasting shared mem for MessageQ transports */
for (var i = 0; i < MultiProc.numProcessors; i++) {
    lpc.setEntryMeta({
        remoteProcId: 1,
        setupMessageQ: false,
    });
}
```

- ❑ Configure `Notify.numEvents` to a lower number. The default value of 32 is often significantly more than the total number of Notify events required on a system. See Section 3.7 for more information.

For example, a simple MessageQ application may simply use two events (one for NameServer and one for the MessageQ transport).

In this case, we can optimize memory use with the following configuration:

```
var Notify = xdc.useModule('ti.sdo.ipc.Notify');

/* Reduce the total number of supported events from
 * 32 to 2 */
Notify.numEvents = 2;

var NameServerRemoteNotify =
    xdc.useModule('ti.sdo.ipc.NameServerRemoteNotify');
NameServerRemoteNotify.notifyEventId = 1;

var TransportShm =
    xdc.useModule('ti.sdo.ipc.transports.TransportShm');
TransportShm.notifyEventId = 0;
```

- Reduce the `cacheLineSize` property of a `SharedRegion` to reflect the actual size of the cache line. IPC uses the `cacheLineSize` setting to pad data structures in shared memory. Padding is required so that cache write-back and invalidate operations on data in shared memory do not affect the cache status of adjacent data. The larger the `cacheLineSize` setting, the more shared memory is used for the sole purpose of padding. Therefore, the `cacheLineSize` setting should optimally be set to the actual size of the cache line. The default `cacheLineSize` for `SharedRegion` is 128. Using the correct size has both performance and size benefits.

The following example (for C6472) sets the `cacheLineSize` property to 64 because the shared L2 memory has this cache line size.

```
SharedRegion.setEntryMeta(0,
    { base: SHAREDMEM,
      len: SHAREDMEMSIZE,
      ownerProcId: 0,
      isValid: true,
      cacheLineSize: 64, /* SL2 cache line size = 64 */
      name: "SL2_RAM",
    });
```

6.5 Optimizing Local Memory Usage

If the Custom1 and Custom2 GateMP proxies will never be used, make sure they are both plugged with the `ti.sdo.ipc.gates.GateMPSupportNull` GateMP delegate. By default, GateMP plugs the Custom1 proxy with the `GatePeterson` delegate. A considerable amount of local memory is reserved for use by `GatePeterson`. You can plug the Custom1 proxy with the `GateMPSupportNull` delegate by adding the following configuration statements to your application:

```
var GateMP = xdc.useModule('ti.sdo.ipc.GateMP');
GateMP.RemoteCustom1Proxy =
    xdc.useModule('ti.sdo.ipc.gates.GateMPSupportNull');
```

6.6 Optimizing Code Size

This section provides tips and suggestions for minimizing the code size of a SYS/BIOS-based application that uses IPC.

- ❑ For a number of ways to configure SYS/BIOS that reduce code size by using custom built SYS/BIOS libraries and by disabling various features, see Section E.3 of the *TI SYS/BIOS Real-time Operating System v6.x User's Guide* (SPRUEX3). In particular, after you have debugged your code, disabling Asserts as follows helps reduce the size of your code.

```
var Defaults = xdc.useModule('xdc.runtime.Defaults');
var Diags = xdc.useModule('xdc.runtimg.Diags');
Defaults.common$.diags_ASSERT = Diags.ALWAYS_OFF;
```

- ❑ The `NotifyDriverCirc` notification driver and the `TransportShmNotify` or `TransportShmCirc` MessageQ transports described in Section 6.3 use less code space than the default Notify driver and MessageQ transport.
- ❑ You can reduce code size by not using the `HeapBufMP` Heap implementation. Since IPC uses the `HeapMemMP` implementation internally, using `HeapMemMP` in your application does not increase the code size. However, you should be aware that, depending on how your application uses heaps, `HeapMemMP` may lead to problems with heap fragmentation. See Section 3.5 for more about Heap implementations.

Rebuilding IPC

This appendix describes how to rebuild the IPC source code.

Topic	Page
A.1 Overview.....	A-2
A.2 Prerequisites	A-2
A.3 Build Procedure.....	A-2
A.4 Building Your Project Using a Rebuilt IPC	A-4

A.1 Overview

The IPC product includes source files and RTSC build scripts that allow you to modify the IPC sources and rebuild its libraries. You can do this in order to modify, update, or add functionality.

If you edit the IPC source code and/or corresponding RTSC build scripts, you must also rebuild IPC in order to create new libraries containing these modifications.

The instructions in this appendix are tailored for rebuilding on Microsoft Windows. However, IPC may also be re-built on Linux using these instructions by changing the DOS commands and paths to the equivalents for Linux.

Warning: This appendix provides details about rebuilding the IPC source code. We strongly recommend that you copy the IPC installation to a directory with a different name and rebuild that copy, rather than rebuilding the original installation.

A.2 Prerequisites

In order to rebuild IPC, the SYS/BIOS, XDCtools, and IPC products must all be installed. The SYS/BIOS installation location must be referenced in the definition of the XDCPATH environment variable.

It is important to build IPC with compatible versions of XDCtools and SYS/BIOS. To find out which versions are compatible, see the “Dependencies” section of the Release Notes in the top-level directory of your IPC installation.

A.3 Build Procedure

Follow these steps to rebuild the IPC source code:

- 1) Create a new directory on your computer that you will use to store a copy of the IPC installation. This directory will act as a container for your own IPC modifications.

The full path to this directory cannot contain any spaces. For example, we recommend making a directory called "C:\myIpcBuilds" rather than using a location in the “My Documents” directory tree.

- 2) Using Windows Explorer, copy the entire IPC installation into the directory you just created. For example, if you installed IPC in the default installation location, then you should copy the following folder and all of its contents:

```
C:\Program Files\Texas Instruments\ipc_1_22_##_##  
into the folder:
```

```
C:\myIpcBuilds
```

After this step, the folder C:\myIpcBuilds should contain the folder ipc_1_22_##_##, which is a copy of your IPC installation.

- 3) Rename the folder that contains the copy of IPC. For example, rename the following directory:

```
C:\myIpcBuilds\ipc_1_22_##_##  
to:
```

```
C:\myIpcBuilds\custom_ipc_1_22_##_##
```

- 4) Copy the file "config.bld.default" from the "etc" folder of your original IPC installation into the "packages" folder of the copy of the IPC installation you just made. For example, copy:

```
C:\Program Files\Texas Instruments\ipc_1_22_##_##  
\etc\config.bld.default
```

to the following location:

```
C:\myIpcBuilds\custom_ipc_1_22_##_##\packages
```

- 5) Rename the copied "config.bld.default" file to be "ipcConfig.bld".
- 6) Open the ipcConfig.bld file for text editing.
- 7) Near the end of the file, look for the array called "Build.targets". This array contains the list of targets for which IPC should be built. Ensure that the target for which you want IPC built is uncommented. For example, if you want to build IPC for the C64P target only, then your Build.targets array would look similar to the following:

```
Build.targets = [  
    //C28_large,  
    C64P,  
    //C67P,  
    //C674,  
    //Arm9,  
    //M3,  
    //MSP430,  
];
```

- 8) Save and exit the file. You are now ready to rebuild IPC.

- 9) Open a DOS command prompt window.
- 10) If you have not already added SYS/BIOS to your XDCPATH environment variable, do so now. For example, type:

```
set XDCPATH=%XDCPATH%;C:/Program Files/Texas  
Instruments/bios_6_##_##_##/packages
```

- 11) Change directories to the location of your copy of IPC. For example:

```
cd C:\myIpcBuilds\custom_ipc_1_22_##_##\packages
```

- 12) Build IPC using the ipcConfig.bld file as follows:

```
xdc XDCBUILDCFG=./ipcConfig.bld -PR .
```

If you want to clear out intermediate and output files from a previous build, you can use the following command

```
xdc clean
```

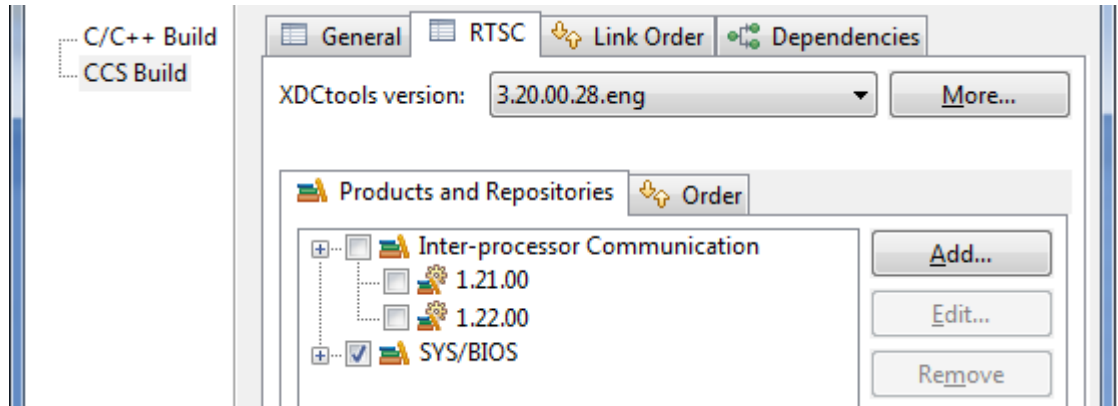
For details about the XDCPATH environment variable, see http://rtsc.eclipse.org/docs-tip/Managing_the_Package_Path in the RTSC-pedia. For more about the “xdc” command line, see http://rtsc.eclipse.org/docs-tip/Command_-_xdc.

A.4 Building Your Project Using a Rebuilt IPC

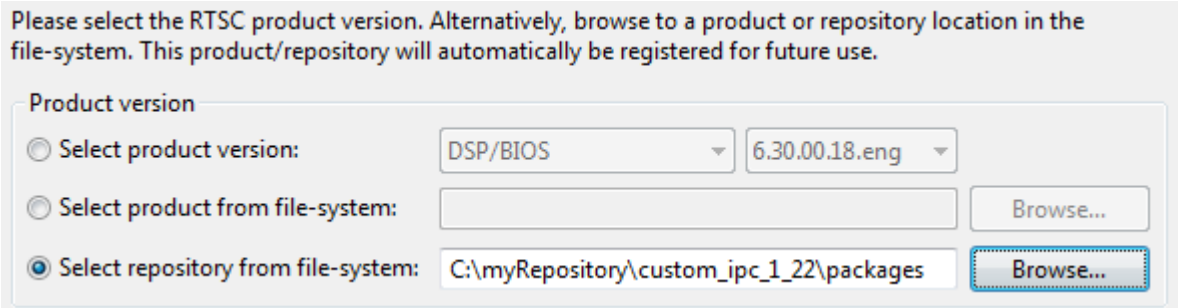
To build your application using the version of IPC you have rebuilt, you must point your project to this rebuilt version by following these steps:

- 1) Open CCS and select the application project you want to rebuild.
- 2) Right-click on your project and choose **Build Properties**. If you have a RTSC configuration project that is separate from your application project, open the build properties for the configuration project.
- 3) In the **CCS Build** category of the Properties dialog, choose the **RTSC** tab.

- 4) Under the **Products and Repositories** tab, uncheck *all* the boxes for IPC. This ensures that no version is selected.



- 5) Click the **Add** button next to the **Products and Repositories** tab.
- 6) Choose **Select repository from file-system**, and browse to the “packages” directory of the location where you copied and rebuilt IPC. For example, the location may be C:\myIpcBuilds\custom_ipc_1_22_###-##\packages.



- 7) Click **OK** to apply these changes to the project.
- 8) You may now rebuild your project using the re-built version of IPC.

Using IPC on Concerto Devices

This appendix provides target-specific information about using IPC on Concerto devices.

Topic	Page
B.1 Overview.....	B-2
B.2 Configuring Applications with IpcMgr.....	B-3
B.3 Examples for Concerto.....	B-6

B.1 Overview

SYS/BIOS supports both the ARM M3 and the 'C28x cores on Concerto F28M35x devices. This allows you to use the same SYS/BIOS and IPC APIs on both processors and to use IPC for communication between the two cores. The following table identifies which IPC modules are used and not used with Concerto devices:

Table 6-3. *IPC modules used with Concerto*

Modules Used with Concerto	Modules Not Used or Supported	Notes
MessageQ		MessageQ usage is the same.
Notify		Notify usage is the same.
MultiProc		MultiProc configuration is the same.
IpcMgr (in ti.sdo.ipc.family.f28m35x)	Ipc	IpcMgr must be configured in place of the Ipc module when using Concerto. See Section B.2.
NotifyDriverCirc (in ti.sdo.ipc.family.f28m35x)	NotifyDriverShm NotifyDriverMbx	See Section 6.3.1.
TransportCirc (in ti.sdo.ipc.family.f28m35x)	TransportShm, TransportShmNotify	See Section 6.3.2.
List		List usage is the same.
NameServer		NameServer usage is the same.
	GateMP	Shared gates are not supported with Concerto.
HeapBuf (from SYS/BIOS)	Heap*MP	Shared heaps are not supported with Concerto.
	ListMP	Shared lists are not supported with Concerto.
	SharedRegion	IpcMgr is used instead of SharedRegion to specify the location of shared memory with Concerto.

In addition, you should be aware of the following special issues:

- ❑ No caching is performed on Concerto devices. Ignore any information about caching in the IPC documentation.
- ❑ Concerto provides a shared timestamp counter that can be read by either core. SYS/BIOS manages this counter with the `ti.sysbios.family.[c28|arm].f28m35x.TimestampProvider` modules. The `Timestamp_get32()` APIs use this counter to provide a common timestamp on both M3 and C28x cores. This is useful when logging on both cores and debugging multi-core issues.

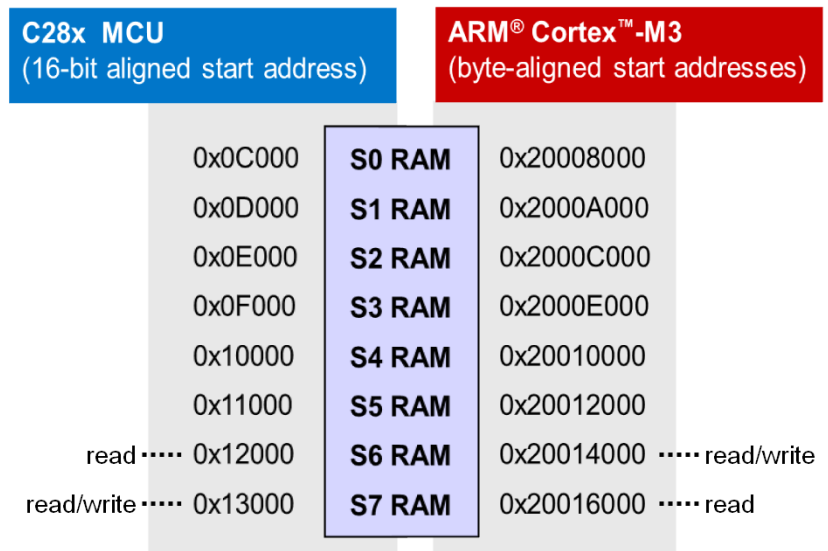
B.2 Configuring Applications with IpcMgr

The `ti.sdo.ipc.family.f28m35x.IpcMgr` module is used only for Concerto F28M35x devices. You use `IpcMgr` instead of the `ti.sdo.ipc.Ipc` module. That is, your application should not call `Ipc_start()` or `Ipc_attach()`.

The `IpcMgr` module statically configures which shared memory segments to enable between the M3 and 'C28 processors. No `IpcMgr` APIs need to be called at runtime. Instead, the drivers for IPC are created during this module's startup function, which runs internally. The internal startup function also synchronizes the M3 and 'C28 processors.

Concerto devices have 8 segments of shared RAM. Each segment has 8 KB. Only one core can have read/write access to a shared memory segment at a time. The other core has read access to that segment. When configuring M3 and 'C28 applications, you must specify the shared memory read and write addresses that IPC should use. Your application can use other shared memory segments as needed.

For example, suppose you want to configure the Concerto with the M3 processor writing to the S6 segment of shared RAM and the 'C28x writing to the S7 segment of shared RAM. The following diagram shows the local addresses used to point to the start of the shared memory segment from both processors:



The IpcMgr module configuration for such an 'C28 application would be as follows:

```
var IpcMgr =
    xdc.useModule('ti.sdo.ipc.family.f28m35x.IpcMgr');
IpcMgr.readAddr  = 0x12000;    /* S6 RAM */
IpcMgr.writeAddr = 0x13000;    /* S7 RAM */
```

The corresponding configuration for the M3 application would be:

```
var IpcMgr =
    xdc.useModule('ti.sdo.ipc.family.f28m35x.IpcMgr');
IpcMgr.readAddr  = 0x20016000; /* S7 RAM */
IpcMgr.writeAddr = 0x20014000; /* S6 RAM */
IpcMgr.sharedMemoryOwnerMask = 0x80;
```

The readAddr and writeAddr segments specified for a processor must be different. The readAddr segment on one processor must correspond to the writeAddr segment on the other processor. The memory addresses you use must be the physical addresses understood by the local core.

By default, the M3 has write access to all segments initially. IPC's IpcMgr module provides a sharedMemoryOwnerMask that the M3 core must set to provide write access to the 'C28 core. This mask writes to the M3's MSxMSEL register. This register determines which processor has write access to each of the 8 shared RAM segments. In the previous example, the M3 application sets the sharedMemoryOwnerMask to 0x80, which sets the bit for the S7 RAM segment to "1", allowing the 'C28 to write to that segment.

Additional configuration properties you can set for the IpcMgr module include:

- ❑ **sharedMemoryEnable.** This property lets the M3 processor disable one or more shared RAM segments. By default, all segments are enabled. This property writes to the MEMCNF register from the M3. To disable a shared RAM segment, set the corresponding bit to 0. You cannot load data into a disabled RAM segment. (Do not use in C28 applications.)
- ❑ **sharedMemoryAccess.** This property lets the M3 processor specify the type of access the owner can have to shared RAM segments. This property writes to the MSxSRCR register from the M3. (Do not use in C28 applications.)

By default, the segment owner has fetch, DMA write, and CPU write access to all segments owned. You should *not* disable fetch or CPU write access for the two segments used by IpcMgr. DMA write access is not used by IpcMgr.

The `IpcMgr.sharedMemoryAccess` configuration property is an array of eight 32-bit masks. `Mask[0]` corresponds to the S0 shared RAM segment, and so on. In each mask, bits 0 through 2 are used to control fetch (bit 0), DMA write (bit 1), and CPU write (bit 2) access. All other bits are ignored. By default, all three types of access are allowed, which corresponds to a bit setting of zero (0). Setting a bit to 1 disables that type of access for the shared RAM segment corresponding to that mask. For example, the following statements remove DMA write and CPU write access for the S4 segment:

```
var IpcMgr =
    xdc.useModule('ti.sdo.ipc.family.f28m35x.IpcMgr');
IpcMgr.sharedMemoryAccess[4] = 0x6;
```

- ❑ **IpcMgr.ipcSetFlag.** This property determines which flag generates an IPC interrupt. The default is 3. You can use a value from 0 to 3, but the value must be the same on both processors.

In addition, the `IpcMgr` module provides configuration properties that set the number of Notify and MessageQ messages stored in the circular buffers and the largest MessageQ size (in bytes) supported by the transport. These can be modified to reduce shared memory use if the application passes relatively few messages between the processors.

- ❑ **IpcMgr.numNotifyMsgs.** By default, the Notify driver's circular buffer can hold up to 32 messages, which means there can be up to 31 outstanding notifications. You can change this value by setting the `IpcMgr.numNotifyMsgs` property to some other power of 2.

The `IpcMgr.numNotifyMsgs` property affects the size of the shared memory circular buffer used to store notifications regardless of the event IDs. Changing this value allows you to optimize either the memory use or the performance. That is, with fewer messages, the buffer is smaller but there is a higher chance that the system will have a full circular buffer and need to wait for space to be freed.

Note that the `IpcMgr.numNotifyMsgs` property is different from the `Notify.numEvents` property. The `Notify.numEvents` property determines the number of unique event IDs that can be used in a system. When this property is set to the default value of 32, Notify event IDs can range from 0 to 31.

- ❑ **IpcMgr.numMessageQMsgs.** By default, the MessageQ transport's circular buffer can hold up to 4 messages. The number of MessageQ messages must be a power of 2. If your application does not use MessageQ, you should set this property to 0 in order to reduce the application's memory footprint.

- ❑ **IpcMgr.messageQSize.** By default, each message in the MessageQ transport's circular buffer can hold 128 bytes. If your application stores less information in each MessageQ message, you should set this property to reduce the application's memory footprint.

If you want to know how much memory is used by IpcMgr, open the .map file that is created when you build your application, and search for the section names that contain ti.sdo.ipc.family.f28m35x.IpcMgr.readSect and ti.sdo.ipc.family.f28m35x.IpcMgr.writeSect.

B.3 Examples for Concerto

IPC provides Notify and MessageQ examples for both the ARM M3 and the C28x cores. Both are dual-core examples in which the same program (with a slightly different configuration) is executed on both cores.

The Notify example uses the ti.ipc.Notify module to send a notification back and forth between the M3 and the C28 a number of times (10 by default). When a processor receives an event, it posts a Semaphore that allows a Task function to continue running and send a reply notification to the other processor.

The MessageQ example uses the ti.ipc.MessageQ module to send messages between processors. Each processor creates its own MessageQ first, and then tries to open the remote processor's MessageQ.

If you compare the CFG files for the Concerto examples with the examples for some other device, you will notice that the Concerto configuration is simpler because it does not need to synchronize the processors or configure the NotifySetup and SharedRegion modules.

If you compare the C code for the Concerto examples with the examples for some other device, you will find the following categories of differences:

- ❑ The Concerto MessageQ example allocates MessageQ messages using the ti.sysbios.heaps.HeapBuf module instead of the ti.sdo.ipc.HeapBufMP module, because HeapBufMP is not supported for Concerto.
- ❑ The Concerto examples do not call Ipc_start() or include the ti.sdo.ipc.lpc module.
- ❑ In the Concerto examples, the other processor is called the "remote" processor instead of the "next" processor, since there are only two processors.

Index

A

- abort() function, Stream module 2-9, 2-25
- add() function
 - NameServer module 4-11
- addUInt32() function, NameServer module 4-11
- alloc() function
 - Heap*MP modules 3-33
 - HeapMemMP module 3-33, 3-34
 - HeapMultiBufMP module 3-33
 - MessageQ module 3-15
- allocation, dynamic 1-7
- attaching to processor 3-10

B

- BIOS module
 - libType property 6-2
- Build.targets array 7-3
- building IPC 7-2

C

- cache, for linked lists 3-29
- CCS Build Configuration 6-2
- CDOC 1-9
- cfg file 1-4
 - See *also* configuration
- chanParams structure 2-29
- close() function
 - GateMP module 3-38
 - Heap*MP modules 3-33
 - IDriver interface 2-27, 2-30
- close() functions 3-5
- cluster
 - configuring 4-8
 - connections between different 4-9
 - definition 4-6
- compiler options 6-4
- configuration
 - cfg file for 1-4
 - converters 2-35

- drivers 2-4
- gates 3-36
- heaps 3-30
- lomAdapter module 2-36
- lpc module 3-8
- message queues 3-12
- MultiProc module 4-6
- streams 2-12, 2-18, 2-22
- control() function, IDriver interface 2-27, 2-32
- converters 2-34
- create() function
 - Driver module 2-28
 - GateMP module 3-36
 - Heap*MP modules 3-31
 - MessageQ module 3-13
 - NameServer module 4-11
 - Stream module 2-6
 - SyncGeneric module 2-24
- create() functions 3-5
- custom libType 6-3
- customCCOpts property 6-4

D

- data passing
 - use case for 1-6
 - See *also* messaging; notification
- debug build profile 6-2
- delete() function
 - Driver module 2-28
 - GateMP module 3-38
 - Heap*MP modules 3-33
 - MessageQ module 3-20
 - NameServer module 4-13
- delete() functions 3-5
- detaching from processor 3-10
- device-independent I/O 2-34
- doubly-linked lists. See List module
- Doxygen 1-9
- Driver_create() function 2-28
- Driver_delete() function 2-28
- drivers 2-4, 2-27
 - acquiring handle for 2-4

- closing 2-30
- configuring 2-4
- control commands for 2-32
- creating 2-28
- deleting 2-28
- IOM drivers, using with SYS/BIOS 6 2-36
- ISRs for 2-33
- opening 2-28
- submitting jobs to 2-31
- template generator for 2-27
- DriverTable module 2-5
- driverTemplate tool 2-27
- DSP/BIOS, name changed 1-2
- dynamic allocation scenario 1-7

E

- empty() function
 - List module 4-5
 - ListMP module 3-27
- enter() function, GateMP module 3-38
- error handling 3-6
 - for drivers 2-28, 2-29, 2-32, 2-33
 - for message queues 3-18
 - for streams 2-7, 2-9, 2-25
- Error_Block structure 2-7
- Event module 2-20
- Event_pend() function 2-20
- Event_post() function 2-20
- events 2-20, 3-22

F

- free() function
 - Heap*MP modules 3-34
 - HeapMultiBufMP module 3-34
 - MessageQ module 3-15

G

- GateMP module 3-36
 - optimizing 6-11
- GateMP_close() function 3-38
- GateMP_create() function 3-36
- GateMP_delete() function 3-38
- GateMP_enter() function 3-38
- GateMP_leave() function 3-39
- GateMP_open() function 3-38
- GateMP_Params structure 3-36
- GateMP_query() function 3-39
- gates
 - closing 3-38
 - configuring 3-36

- creating 3-36
- deleting 3-38
- entering 3-38
- leaving 3-39
- name server for 3-39
- opening 3-38
- program flow for 3-40
- querying 3-39
- generic callbacks, with streams 2-24
- get() function
 - List module 4-3, 4-5
 - MessageQ module 3-19
 - NameServer module 4-11, 4-13
- getDstQueue() function, MessageQ module 3-24
- getExtendedStats() function, Heap*MP modules 3-34
- getHead() function, ListMP module 3-27
- getLocal() function, NameServer module 4-13
- getMsgId() function, MessageQ module 3-19
- getMsgPri() function, MessageQ module 3-19
- getMsgSize() function, MessageQ module 3-19
- getReplyQueue() function, MessageQ module 3-19
- getStats() function
 - Heap*MP modules 3-34
 - Memory module 3-34
- getTail() function, ListMP module 3-27

H

- hardware interrupts 3-41
- Heap*MP_alloc() function 3-33
- Heap*MP_close() function 3-33
- Heap*MP_create() function 3-31
- Heap*MP_delete() function 3-33
- Heap*MP_free() function 3-34
- Heap*MP_getExtendedStats() function 3-34
- Heap*MP_getStats() function 3-34
- Heap*MP_isBlocking() function 3-34
- Heap*MP_open() function 3-32
- Heap*MP_Params structure 3-31
- HeapBufMP module 3-30
- HeapMemMP module 3-30
- HeapMemMP_alloc() function 3-33
- HeapMemMP_free() function 3-34
- HeapMultiBufMP module 3-30
- HeapMultiBufMP_alloc() function 3-33
- HeapMultiBufMP_free() function 3-34
- heaps 3-30
 - allocating memory from 3-33
 - closing 3-33
 - configuring 3-30
 - creating 3-31
 - deleting 3-33
 - freeing memory to 3-34

- message queues allocated from 3-16
- opening 3-32
- program flow for 3-35
- statistics for, querying 3-34

help 1-9

I

- IConverter interface 2-34
- IDriver interface 2-4, 2-27
- IDriver_close() function 2-27, 2-30
- IDriver_control() function 2-27, 2-32
- IDriver_open() function 2-27, 2-28
- IDriver_submit() function 2-27, 2-31
- IMessageQTransport interface 3-23
- INameServerRemote interface 4-13
- init() function, MessageQ module 3-13
- insert() function
 - List module 4-4
 - ListMP module 3-27
- instrumented libType 6-3
- I/O modules 2-3
- IomAdapter module 2-36
- IPC 1-2
 - further information about 1-9
 - modules in 3-5
 - requirements for 1-3
 - use cases for 1-4
 - See also specific modules*
- ipc directory 3-3
- ipc module 3-7
- ipc_start() function 3-7
- isBlocking() function, Heap*MP module 3-34
- ISRs for driver 2-33
- issue() function, Stream module 2-9, 2-16, 2-20, 2-26
- ISync interface 2-8, 3-21
- ISync_signal() function 2-8, 2-16, 2-20, 3-21
- ISync_wait() function 2-8, 3-21

L

- leave() function, GateMP module 3-39
- libraries, SYS/BIOS 6-3
- libType property 6-2
- linked lists. *See* List module; ListMP module
- linking 6-3
- List module 4-2
- List_empty() function 4-5
- List_get() function 4-3, 4-5
- List_insert() function 4-4
- List_next() function 4-3
- List_prev() function 4-3

- List_put() function 4-3, 4-4, 4-5
- List_putHead() function 4-4, 4-5
- List_remove() function 4-4
- ListMP module 1-6, 3-26
- ListMP_empty() function 3-27
- ListMP_getHead() function 3-27
- ListMP_getTail() function 3-27
- ListMP_insert() function 3-27
- ListMP_next() function 3-27
- ListMP_Params structure 3-26
- ListMP_prev() function 3-27
- ListMP_putHead() function 3-27
- ListMP_putTail() function 3-27
- ListMP_remove() function 3-27

M

- memory
 - fixed-size. *See* heaps
 - footprint 6-9
 - mutual exclusion for shared memory. *See* gates
 - requirements for, minimizing 6-11
 - transports using shared memory 3-23
 - variable-size. *See* heaps
- Memory_getStats() function 3-34
- Memory_query() function 3-34
- message queues 3-11
 - allocating 3-15
 - configuring 3-12
 - creating 3-13
 - deleting 3-20
 - freeing 3-15
 - heaps and 3-16
 - opening 3-14
 - priority of messages 3-20
 - program flow for 3-25
 - receiving messages 3-19
 - reply queues for 3-22
 - sending messages 3-17
 - thread synchronization and 3-21
 - transports for 3-23
- MessageQ module 1-8, 3-11
- MessageQ_alloc() function 3-15
- MessageQ_create() function 3-13
- MessageQ_delete() function 3-20
- MessageQ_free() function 3-15
- MessageQ_get() function 3-19
- MessageQ_getDstQueue() function 3-24
- MessageQ_getMsgId() function 3-19
- MessageQ_getMsgPri() function 3-19
- MessageQ_getMsgSize() function 3-19
- MessageQ_getReplyQueue() function 3-19
- MessageQ_init() function 3-13
- MessageQ_open() function 3-14

MessageQ_Params structure 3-22
 MessageQ_put() function 3-17
 messaging
 sophisticated, use case for 1-8
 variable-length 3-11
 See also data passing; notification
 minimal use scenario 1-5
 MODULE_Params structure 3-5
 modules 3-5
 in ti.sdo.io package 2-2
 in ti.sdo.ipc package 3-2
 in ti.sdo.utils package 4-2
 See also *specific modules*
 MsgHeader structure 3-16
 MultiProc module 4-6
 MultiProc_getBaselIdOfCluster() function 4-8
 MultiProc_getId() function 4-7
 MultiProc_getName() function 4-8
 MultiProc_getNumProcessors() function 4-8
 MultiProc_getNumProcsInCluster() function 4-8
 MultiProc_self() function 4-8
 MultiProc_setLocalId() function 4-6
 multi-processing 1-2
 processor IDs for 4-6
 See also *specific modules*

N

NameServer module 3-39, 4-11
 NameServer_add() function 4-11
 NameServer_addUInt32() function 4-11
 NameServer_create() function 4-11
 NameServer_delete() function 4-13
 NameServer_get() function 4-11, 4-13
 NameServer_getLocal() function 4-13
 NameServer_Params structure 4-11
 NameServer_remove() function 4-13
 NameServer_removeEntry() function 4-13
 NameServerMessageQ module 4-9
 NameServerRemoteNotify module 4-9, 6-10
 next() function
 List module 4-3
 ListMP module 3-27
 non-instrumented libType 6-3
 notification 3-41
 use case for 1-5
 See also data passing; messaging
 Notify module 1-5, 3-41

O

online documentation 1-9

open() function
 GateMP module 3-38
 Heap*MP modules 3-32
 IDriver interface 2-27, 2-28
 MessageQ module 3-14
 open() functions 3-5
 operating system requirements 1-3
 optimization 6-1

P

pend() function, Event module 2-20
 performance 6-5
 post() function
 Event module 2-20
 Swi module 2-16
 prev() function
 List module 4-3
 ListMP module 3-27
 priority of messages 3-20
 put() function
 List module 4-3, 4-4, 4-5
 MessageQ module 3-17
 putHead() function
 List module 4-4, 4-5
 ListMP module 3-27
 putTail() function, ListMP module 3-27

Q

query() function
 GateMP module 3-39
 Memory module 3-34
 queues, message. See message queues

R

read() function, Stream module 2-24, 2-26
 rebuilding IPC 7-2
 reclaim() function, Stream module 2-9, 2-16, 2-26
 release build profile 6-2
 remote communication, with transports 3-23
 Remote driver 4-13
 remove() function
 List module 4-4
 ListMP module 3-27
 NameServer module 4-13
 removeEntry() function, NameServer module 4-13
 reply queues 3-22
 requirements for IPC 1-3
 RTSC Build-Profile field 6-2

S

semaphores
 binary. See SyncSem module; SyncSemThread module
 created by application 2-15
 created by stream 2-7, 2-8
setLocalId() function, MultiProc module 4-6
SharedRegion module 3-43
SharedRegion pointers 3-27
SharedRegion table 3-45
signal() function, ISync interface 2-8, 2-16, 2-20, 3-21
signal() function, Sync module 2-8
software interrupts
 managing over hardware interrupts 3-41
 streams used with 2-16, 2-26
sophisticated messaging scenario 1-8
SRPtr pointer 3-48
Stream module 2-3, 2-6, 2-37
Stream_abort() function 2-9, 2-25
Stream_create() function 2-6
Stream_issue() function 2-9, 2-16, 2-20, 2-26
Stream_Params structure 2-6
Stream_read() function 2-24, 2-26
Stream_reclaim() function 2-9, 2-16, 2-26
Stream_write() function 2-24, 2-26
streams 2-3, 2-6
 aborting 2-25
 configuring 2-12, 2-18, 2-22
 creating 2-6
 deleting 2-7
 error handling for 2-9, 2-25
 events used with 2-20
 generic callbacks used with 2-24
 porting to another operating system 2-37
 reading 2-24
 semaphores supplied by application for 2-15
 software interrupts used with 2-16, 2-26
 synchronizing 2-8
 tasks used with 2-9, 2-26
 writing 2-24
submit() function, IDriver interface 2-27, 2-31
Swi module 2-16
Swi_post() function 2-16
Sync module 2-8
Sync_signal() function 2-8
Sync_wait() function 2-8
SyncEvent module 2-8, 2-20, 3-22
SyncGeneric module 2-8, 2-24, 3-21
SyncGeneric_create() function 2-24
SyncNull module 2-8, 3-21

SyncSem module 2-8, 3-22
SyncSemThread module 2-8, 3-21
SyncSwi module 2-8, 2-16, 3-22
SYS/BIOS 1-2
SYS/BIOS libraries 6-3
system requirements 1-3

T

tasks, streams used with 2-9, 2-26
threads 1-2, 3-5, 3-21
ti.sdo.io package 2-2
ti.sdo.ipc package 1-2, 3-2
ti.sdo.utils package 4-2
ti.sysbios.syncs package 2-8
timeouts
 MessageQ 3-11, 3-19, 3-21
 NameServerMessageQ 4-9
 NameServerRemoteNotify 4-9
 streams 2-9
transports 3-23
TransportShm module 3-23
tuning 6-1

U

use cases 1-4
user function 3-9

V

variable-length messaging 3-11
version of IPC 7-5
virtual I/O devices 2-34

W

wait() function, ISync interface 2-8, 3-21
wait() function, Sync module 2-8
whole_program build profile 6-2
whole_program_debug build profile 6-2
write() function, Stream module 2-24, 2-26

X

xdc.runtime.knl package 2-8
XDCPATH environment variable 7-4

